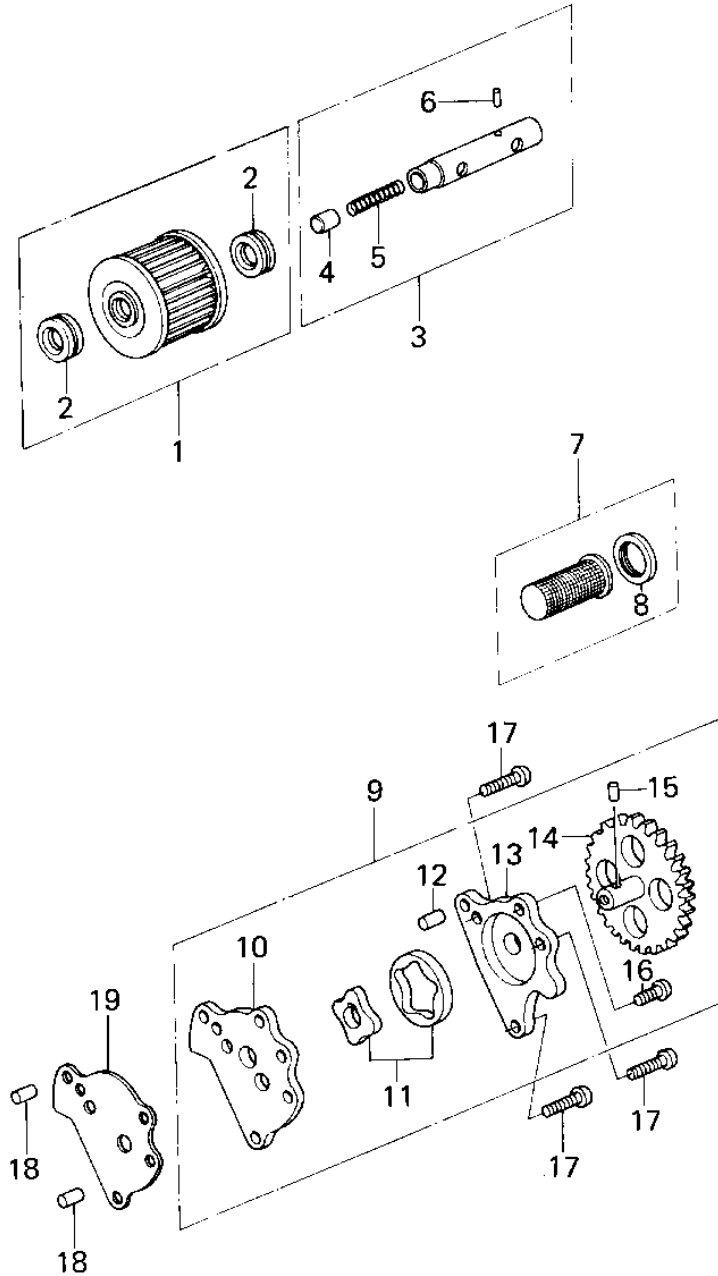


1979 KZ200-A2 PARTS DIAGRAM

OIL PUMP/OIL FILTER



1979 KZ200-A2 PARTS LIST

OIL PUMP/OIL FILTER

ITEM NAME	PART NUMBER	QUANTITY
FILTER,OIL (Ref # 1)	16099-004	
GROMMET,OIL FILTER (Ref # 2)	92071-101	
BOLT ASSY,OIL FILTER (Ref # 3)	16156-002	
PISTON (Ref # 4)	92136-002	
SPRING,PISTON (Ref # 5)	92081-043	
SPRING PIN (Ref # 6)	92043-123	
STRAINER ASSY,OIL (Ref # 7)	16097-1001	
STRAINER ASSY,OIL (Ref # 7)	16097-1001	
GROMMET,OIL STRAINER (Ref # 8)	92071-100	
OIL PUMP ASSY (Ref # 9)	16082-066	
BODY,OIL PUMP (Ref # 10)	16141-006	
ROTOR,OIL PUMP (Ref # 11)	16154-5001	
PIN,DOWEL,6X8 (Ref # 12)	551A0608	
COVER,OIL PUMP (Ref # 13)	16142-006	
GEAR,OIL PUMP (Ref # 14)	16085-026	
PIN,DOWEL (Ref # 15)	92042-041	
PIN,DOWEL (Ref # 15)	92042-041	
SCREW PAN HEAD 6X14 (Ref # 16)	220B0614	
SCREW PAN HEAD 6X25 (Ref # 17)	220B0625	
PIN,DOWEL,6X8 (Ref # 18)	551A0608	
GASKET,OIL PUMP (Ref # 19)	11060-1115	