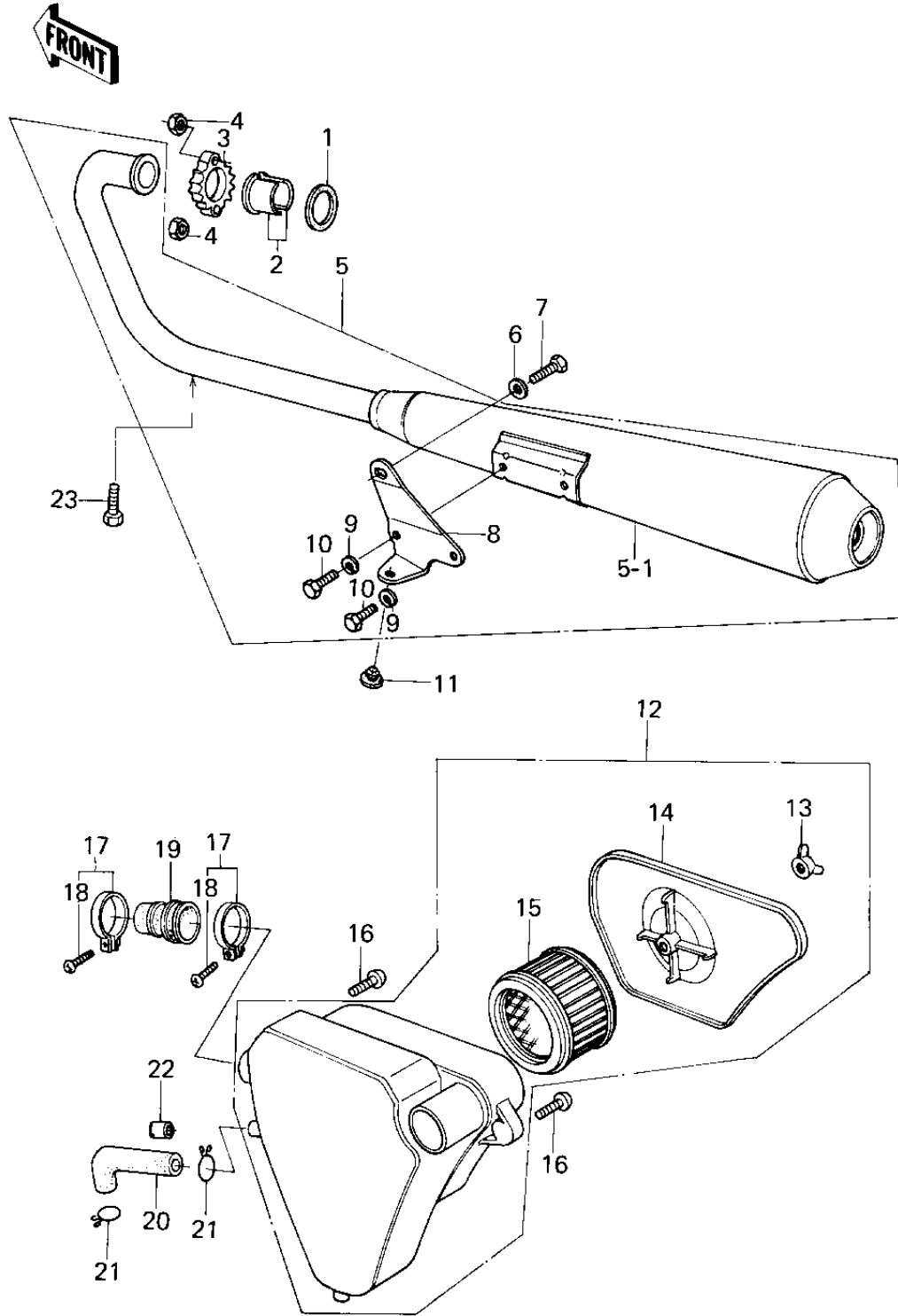


1979 KZ200-A2 PARTS DIAGRAM

AIR CLEANER/MUFFLER



1979 KZ200-A2 PARTS LIST

AIR CLEANER/MUFFLER

ITEM NAME	PART NUMBER	QUANTITY
GASKET,EXHAUST PIPE H (Ref # 1)	11009-1866	
INSERT,EXHAUST PIPE (Ref # 2)	92027-278	
HOLDER,EXHAUST PIPE (Ref # 3)	18069-1006	
NUT,LOCK 6MM (Ref # 4)	92017-014	
MUFFLER ASSY (Ref # 5)	18001-1197	
MUFFLER ASSY (Ref # 5)	18001-1197	
MUFFLER ASSY (Ref # 5-1)	18001-5006	
WASHER PLAIN 10MM (Ref # 6)	410B1000	
BOLT,HEX HEAD,10X14 (Ref # 7)	113G1014	
BRACKET,MUFFLER (Ref # 8)	18024-037	
WASHER SPRING 8MM (Ref # 9)	461F0800	
BOLT,8X20 (Ref # 10)	115G0820	
DAMPER RUBB MAIN STAD (Ref # 11)	92075-015	
AIR CLEANER ASSY (Ref # 12)	11010-1024	
AIR CLEANER ASSY (Ref # 12)	11010-1024	
NUT,AIR CLEANER CAP (Ref # 13)	92016-062	
CAP,AIR FILTER (Ref # 14)	11012-1281	
ELEMENT,AIR CLNR (Ref # 15)	11013-059	
SCREW PAN HEAD 6X10 (Ref # 16)	220B0610	
CLAMP,CARBURETOR HLDR (Ref # 17)	92037-178	
SCREW-PAN-CROS,5X25 (Ref # 18)	220B0525	
PIPE,INLET (Ref # 19)	11015-065	
TUBE,BREATHER (Ref # 20)	92059-138	
CLAMP,BREATHER TUBE (Ref # 21)	92037-213	
BREATHER VALVE (Ref # 22)	92062-1002	
BOLT (6X10) (Ref # 23)	110R0610	