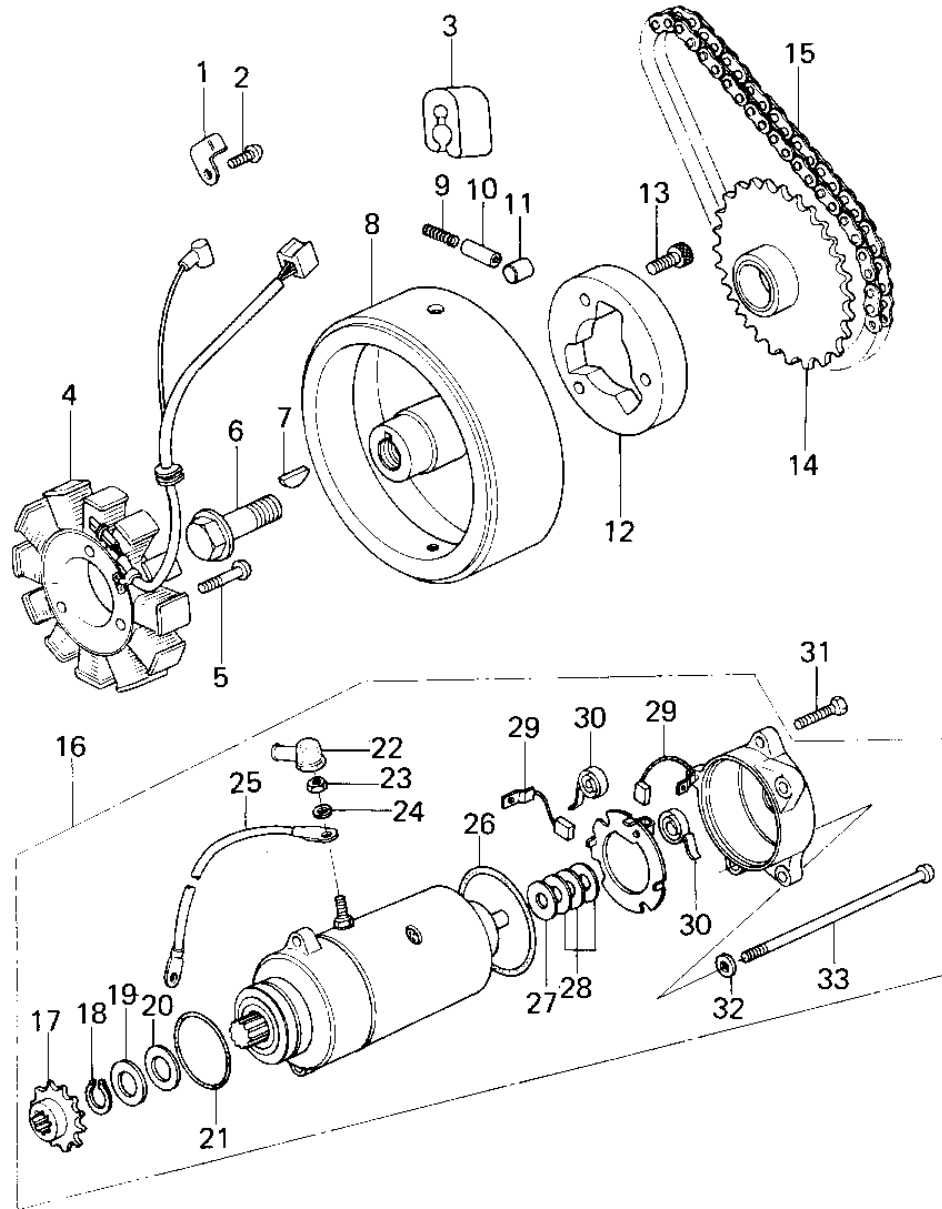


1978 KZ200-A1A PARTS DIAGRAM

GENERATOR/STARTER MOTOR



1978 KZ200-A1A PARTS LIST

GENERATOR/STARTER MOTOR

ITEM NAME	PART NUMBER	QUANTITY
-----------	-------------	----------