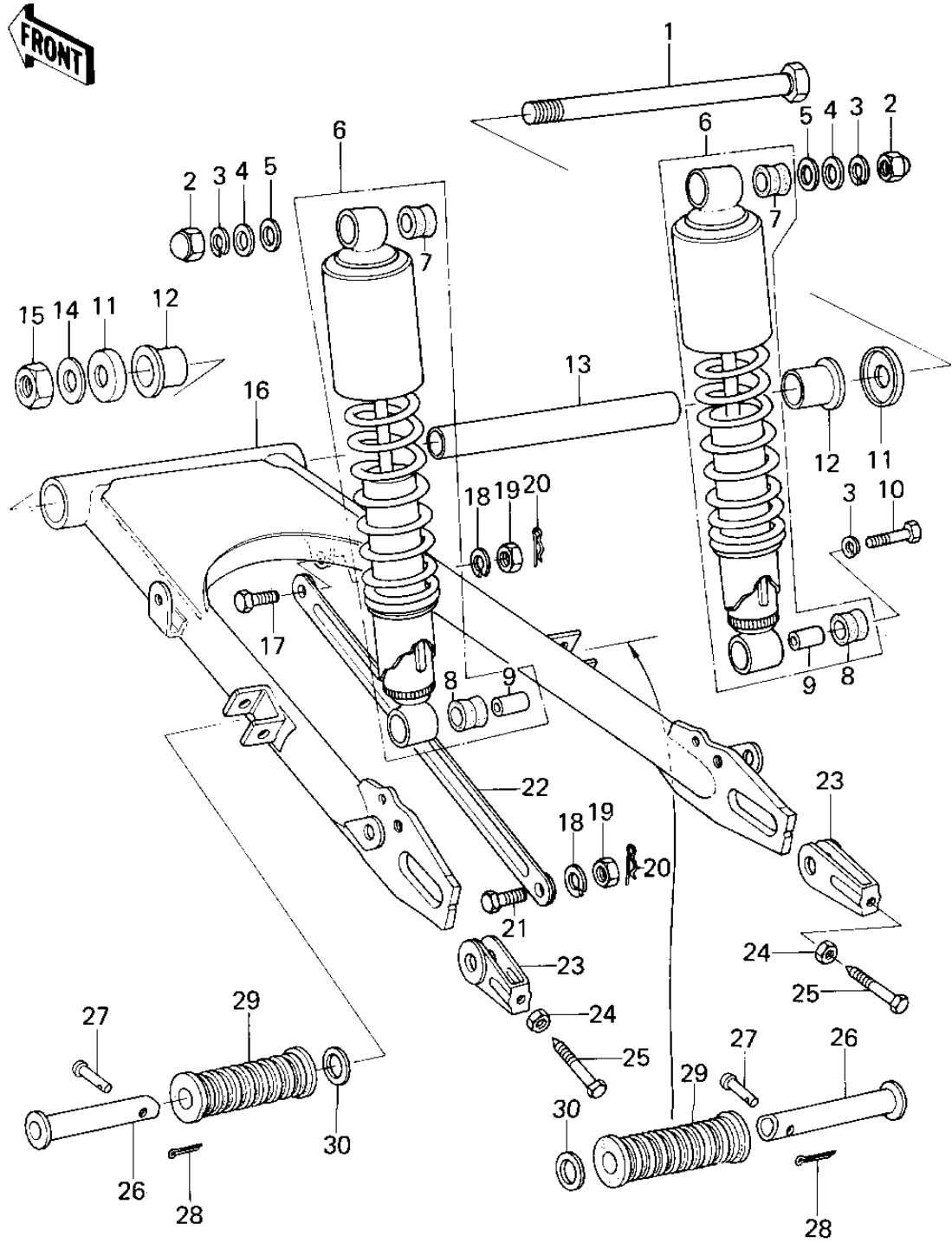


# 1978 KZ200-A1A PARTS DIAGRAM

## SWING ARM/SHOCK ABSORBERS



# 1978 KZ200-A1A PARTS LIST

## SWING ARM/SHOCK ABSORBERS

ITEM NAME	PART NUMBER	QUANTITY
SHAFT-SWING ARM PIVOT (Ref # 1)	33032-037	
NUT SHOCK ABSORBER (Ref # 2)	92020-003	
WASHER SPRING 10MM (Ref # 3)	461F1000	
WASHER PLAIN 10MM (Ref # 4)	411B1000	
WASHER-PL-10.5X26X2.3 (Ref # 5)	92022-044	
SHOCK ABSBR RR (Ref # 6)	45014-120	
BUSHING,SHCK ABS RUB (Ref # 7)	45017-015	
BUSHING, SHCK ABS RUB (Ref # 8)	45017-012	
BUSHING,SHOCK ABSORB (Ref # 9)	45016-008	
BOLT HEX HEAD 10X35 (Ref # 10)	113N1035	
CAP,SWING ARM (Ref # 11)	33035-010	
BUSHING-SWING ARM (Ref # 12)	33033-009	
SLEEVE,SWING ARM (Ref # 13)	42036-1004	
WASHER PLAIN 14MM (Ref # 14)	410B1400	
NUT-LOCK,14MM (Ref # 15)	92019-011	
ARM,SWING (Ref # 16)	33001-094	
BOLT TORQUE LINK FIT (Ref # 17)	92003-017	
WASHER SPRING 10MM (Ref # 18)	461F1000	
NUT 10MM (Ref # 19)	315B1000	
PIN,SNAP (Ref # 20)	554A0800	
BOLT (Ref # 21)	92003-096	
TORQUE LINK REAR BRK (Ref # 22)	43007-016	
ADJUSTER,CHAIN (Ref # 23)	33040-1001	
NUT 8MM (Ref # 24)	312B0800	
BOLT,8X50 (Ref # 25)	92001-1399	
BAR-RR FOOTREST (OPT) (Ref # 26)	34028-009	
PIN (Ref # 27)	92043-1464	
PIN COTTER 2.0X15 (Ref # 28)	550D2015	
RUBBER,REAR FOOTREST (Ref # 29)	92076-024	