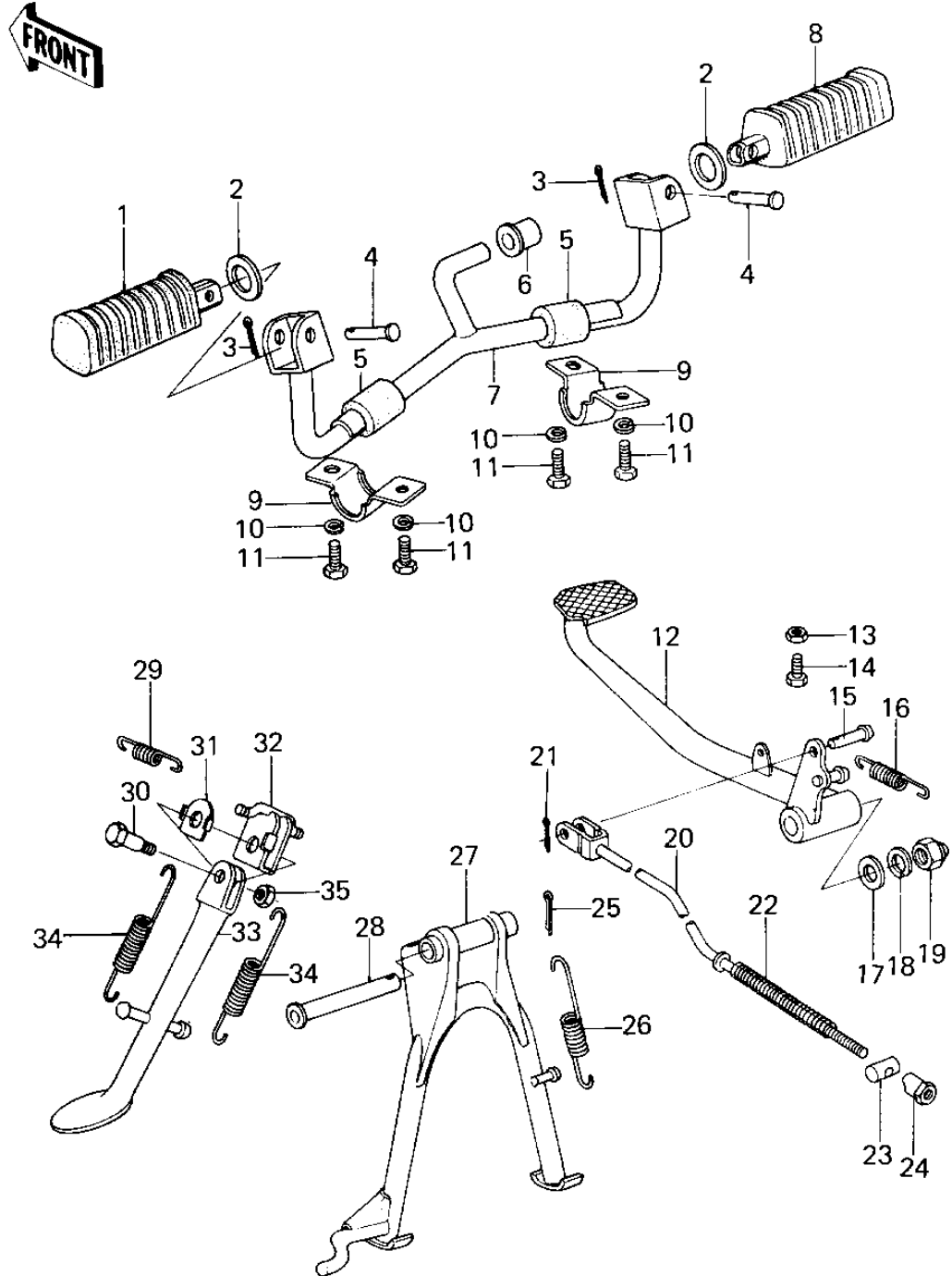


# 1978 KZ200-A1A PARTS DIAGRAM

FOOTRESTS/STANDS/BRAKE PEDAL



# 1978 KZ200-A1A PARTS LIST

## FOOTRESTS/STANDS/BRAKE PEDAL

ITEM NAME	PART NUMBER	QUANTITY
STEP-ASSY (Ref # 1)	34027-1103	
WASHER,PLAIN (Ref # 2)	92022-250	
PIN COTTER 2.5X16 (Ref # 3)	550D2516	
PIN-FOOTREST BAR FIT (Ref # 4)	92043-080	
DAMPER,RUBBER (Ref # 5)	92075-306	
DAMPER,RUBBER (Ref # 6)	92075-1029	
DAMPER,RUBBER (Ref # 6)	92075-1029	
BAR,FOOTREST (Ref # 7)	34004-008	
STEP-ASSY (Ref # 8)	34027-1103	
HOLDER,FOOTREST (Ref # 9)	13091-1003	
WASHER SPRING 8MM (Ref # 10)	461F0800	
BOLT-SMALL-UPSET,8X16 (Ref # 11)	115G0816	
PEDAL,BRAKE (Ref # 12)	43001-077	
NUT 6MM (Ref # 13)	311B0600	
BOLT-UPSET (Ref # 14)	112G0625	
PIN,BRAKE ROD FITTING (Ref # 15)	92043-090	
SPRING,BRAKE PEDAL (Ref # 16)	43005-029	
WASHER,8.5X20X1.6 (Ref # 17)	92022-1561	
WASHER SPRING 8MM (Ref # 18)	461F0800	
NUT,CAP AND LOCK,8MM (Ref # 19)	92019-013	
ROD,BRAKE (Ref # 20)	43011-028	
PIN COTTER 2.0X15 (Ref # 21)	550D2015	
SPRING,BRAKE ROD (Ref # 22)	43012-001	
PIN BRAKE (Ref # 23)	92043-039	
NUT-BRAKE ROD ADJUST (Ref # 24)	92015-042	
PIN COTTER 3.0X30 (Ref # 25)	550D3030	
SPRING,MAIN STAND (Ref # 26)	34023-016	
STAND-MAIN (Ref # 27)	34011-050	
SHAFT MAIN STAND (Ref # 28)	34019-011	

# 1978 KZ200-A1A PARTS LIST

## FOOTRESTS/STANDS/BRAKE PEDAL

ITEM NAME	PART NUMBER	QUANTITY
SPRING,SIDE STAND (Ref # 29)	34025-011	
BOLT,SIDE STAND FITNG (Ref # 30)	92003-226	
WASHER,LOCK (Ref # 31)	92024-078	
STOPPER,SIDE STAND (Ref # 32)	32085-1009	
STAND-SIDE (Ref # 33)	34024-070	
SPRING,SIDE STAND (Ref # 34)	34025-010	
NUT,LOCK,10MM (Ref # 35)	92019-021	