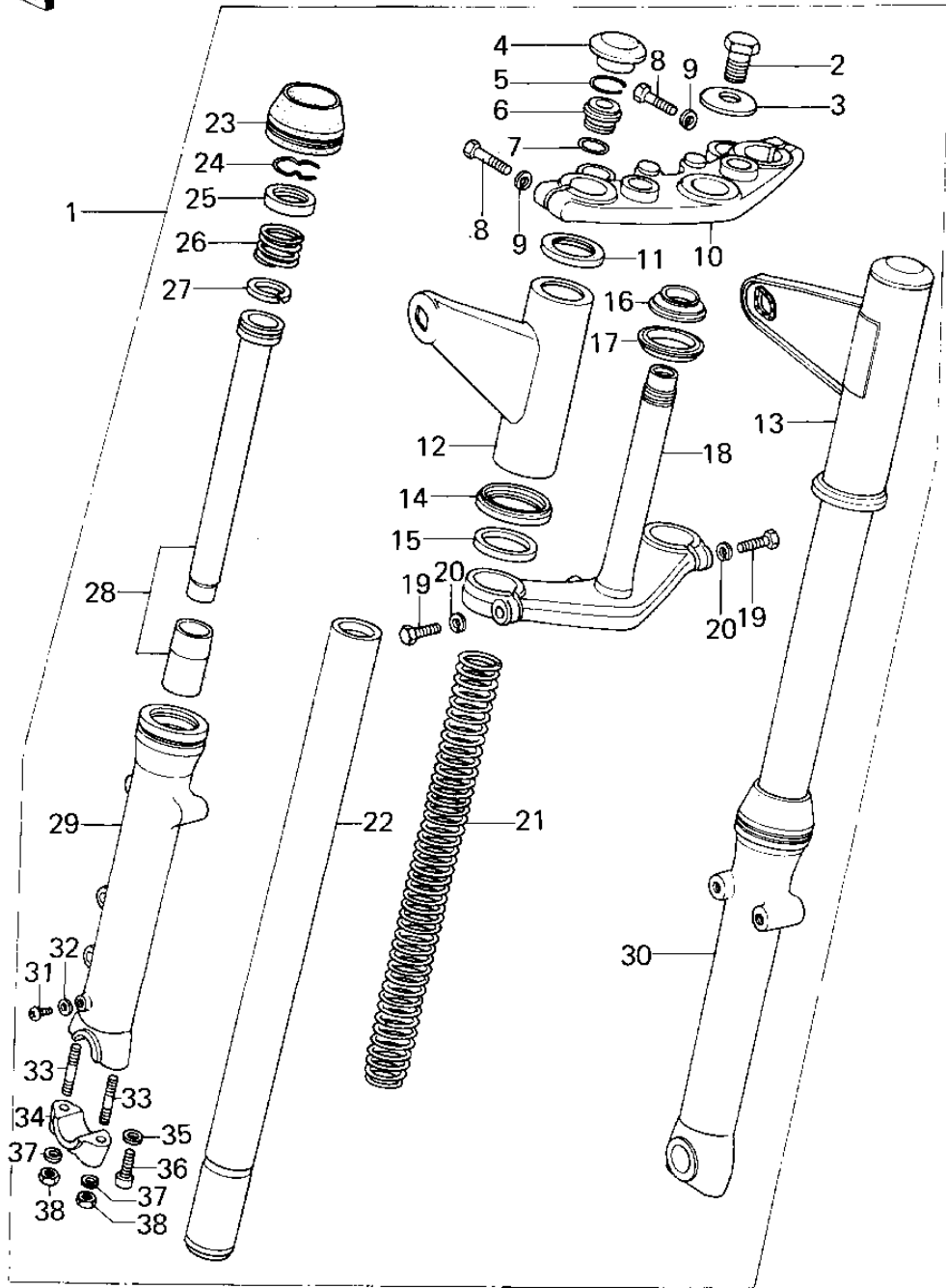


# 1978 KZ200-A1A PARTS DIAGRAM

## FRONT FORK



# 1978 KZ200-A1A PARTS LIST

## FRONT FORK

ITEM NAME	PART NUMBER	QUANTITY
FORK-FRONT (Ref # 1)	44001-202	
BOLT,STEERING STEM (Ref # 2)	44041-072	
WASHER,STEERING STEM (Ref # 3)	44043-056	
CAP,FORK TOP (Ref # 4)	44062-008	
CIRCLIP (Ref # 5)	44044-023	
GUIDE,SPRING (Ref # 6)	44029-022	
"O" RING (Ref # 7)	44046-025	
BOLT,HEX HEAD,8X40 (Ref # 8)	92001-1063	
WASHER SPRING 8MM (Ref # 9)	461F0800	
HEAD,STEERING STEM (Ref # 10)	44039-078	
GUIDE,FORK COVER,A (Ref # 11)	44064-029	
COVER,L.H FORK (Ref # 12)	44033-087	
COVER,R.H FORK (Ref # 13)	44034-087	
GUIDE,FORK COVER,B (Ref # 14)	44064-028	
GASKET,FORK COVER (Ref # 15)	44045-049	
CONE STERNG BERG LOW (Ref # 16)	92047-010	
SEAL,STEERING STEM (Ref # 17)	44010-027	
STEM,STEERING (Ref # 18)	44037-110	
BOLT, HEX HEAD,10X30 (Ref # 19)	44041-079	
WASHER SPRING 10MM (Ref # 20)	461F1000	
SPRING,FORK (Ref # 21)	44026-075	
TUBE,FORK INNER (Ref # 22)	44013-060	
DUST SHIELD,FORK (Ref # 23)	44010-037	
CIRCLIP,45MM (Ref # 24)	44044-020	
OIL SEAL,FORK (Ref # 25)	44009-028	
SPRING,FORK REBOUND (Ref # 26)	44026-060	
RING,FORK PISTON (Ref # 27)	44025-006	
CYLINDER-FORK (Ref # 28)	44022-041	
TUBE,LH,FORK OUTER (Ref # 29)	44005-068	

# 1978 KZ200-A1A PARTS LIST

## FRONT FORK

ITEM NAME	PART NUMBER	QUANTITY
TUBE,RH,FORK OUTER (Ref # 30)	44006-066	
SCREW PAN HEAD 4X6 (Ref # 31)	220B0406	
GASKET,FORK DRAIN PLG (Ref # 32)	44045-046	
STUD 8X30 (Ref # 33)	172G0830	
HOLDER,FRONT AXLE (Ref # 34)	44063-016	
GASKET,FORK CYL BOLT (Ref # 35)	44045-051	
BOLT,FORK CYLINDER (Ref # 36)	44041-078	
WASHER SPRING 8MM (Ref # 37)	461F0800	
NUT,LOCK,8MM (Ref # 38)	92017-013	