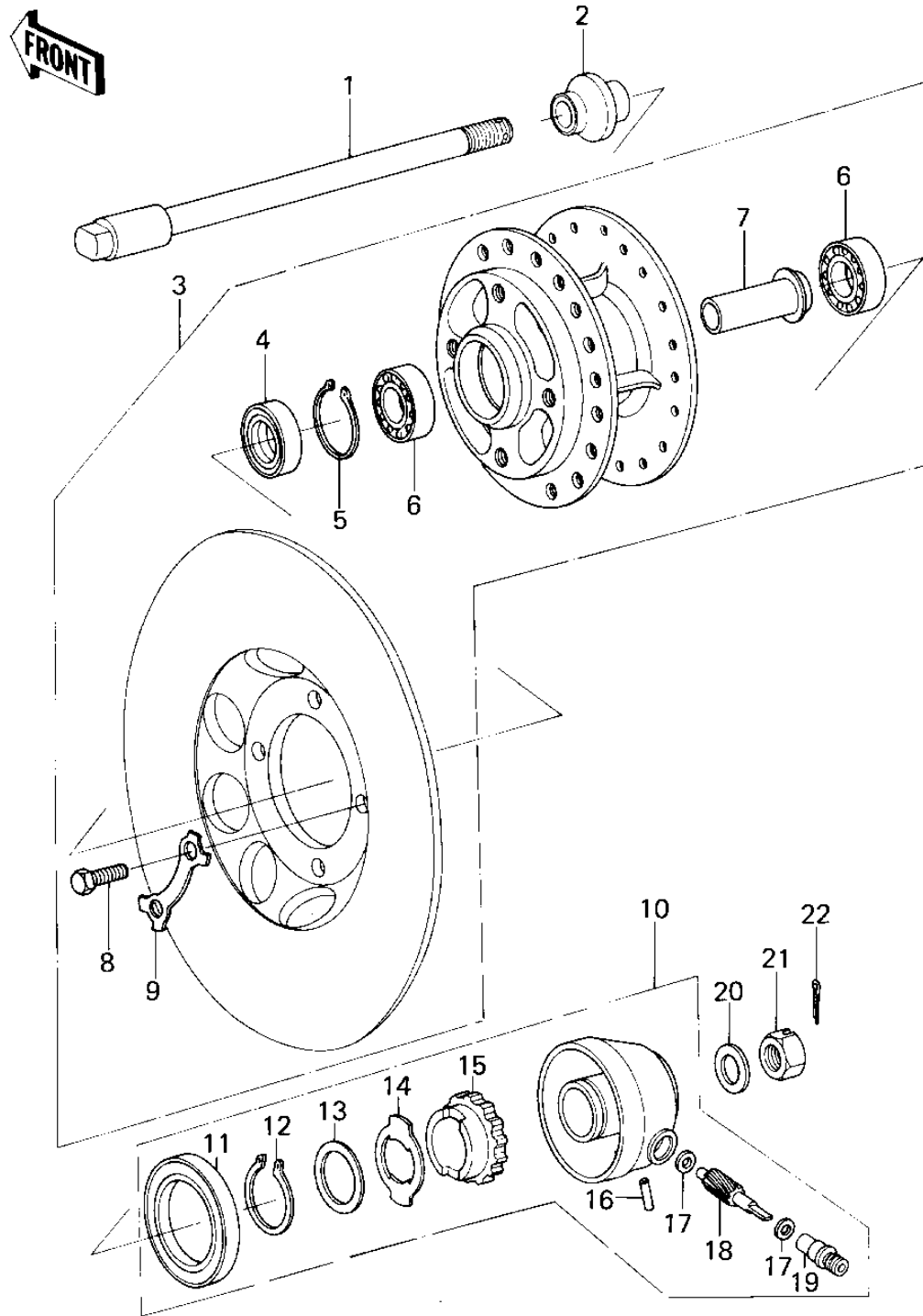


1978 KZ200-A1A PARTS DIAGRAM

FRONT HUB



1978 KZ200-A1A PARTS LIST

FRONT HUB

ITEM NAME	PART NUMBER	QUANTITY
AXLE,FRONT (Ref # 1)	41068-052	
COLLAR,AXLE (Ref # 2)	41069-037	
DRUM-ASSY,FR BRK (Ref # 3)	41034-051	
OIL SEAL (Ref # 4)	654A223508	
CIRCLIP,35MM (Ref # 5)	481J3500	
BEARING BALL #6202 (Ref # 6)	601B6202	
COLLAR,FRONT HUB (Ref # 7)	41039-035	
BOLT, HEX HEAD, 8X25 (Ref # 8)	92001-141	
WASHER,LOCK (Ref # 9)	92088-029	
GEAR BOX ASSY (Ref # 10)	41078-013	
OIL SEAL (Ref # 11)	654A425509	
CIRCLIP,22MM (Ref # 12)	480J2200	
WASHER THRUST (Ref # 13)	41065-006	
RECEIVER,SPEED.GEAR (Ref # 14)	41064-016	
GEAR,SPEEDOMETER (Ref # 15)	41059-028	
PIN,SPRING (Ref # 16)	41082-001	
WASHER THRST SPD PINI (Ref # 17)	41063-001	
PINION,SPEEDOMETER (Ref # 18)	41060-015	
BUSH,SPEEDMETER CABLE (Ref # 19)	41062-005	
WASHER PLAIN 14MM (Ref # 20)	410B1400	
NUT,14MM (Ref # 21)	42045-020	
PIN, COTTER, 3.0 X 25 (Ref # 22)	550D3025	