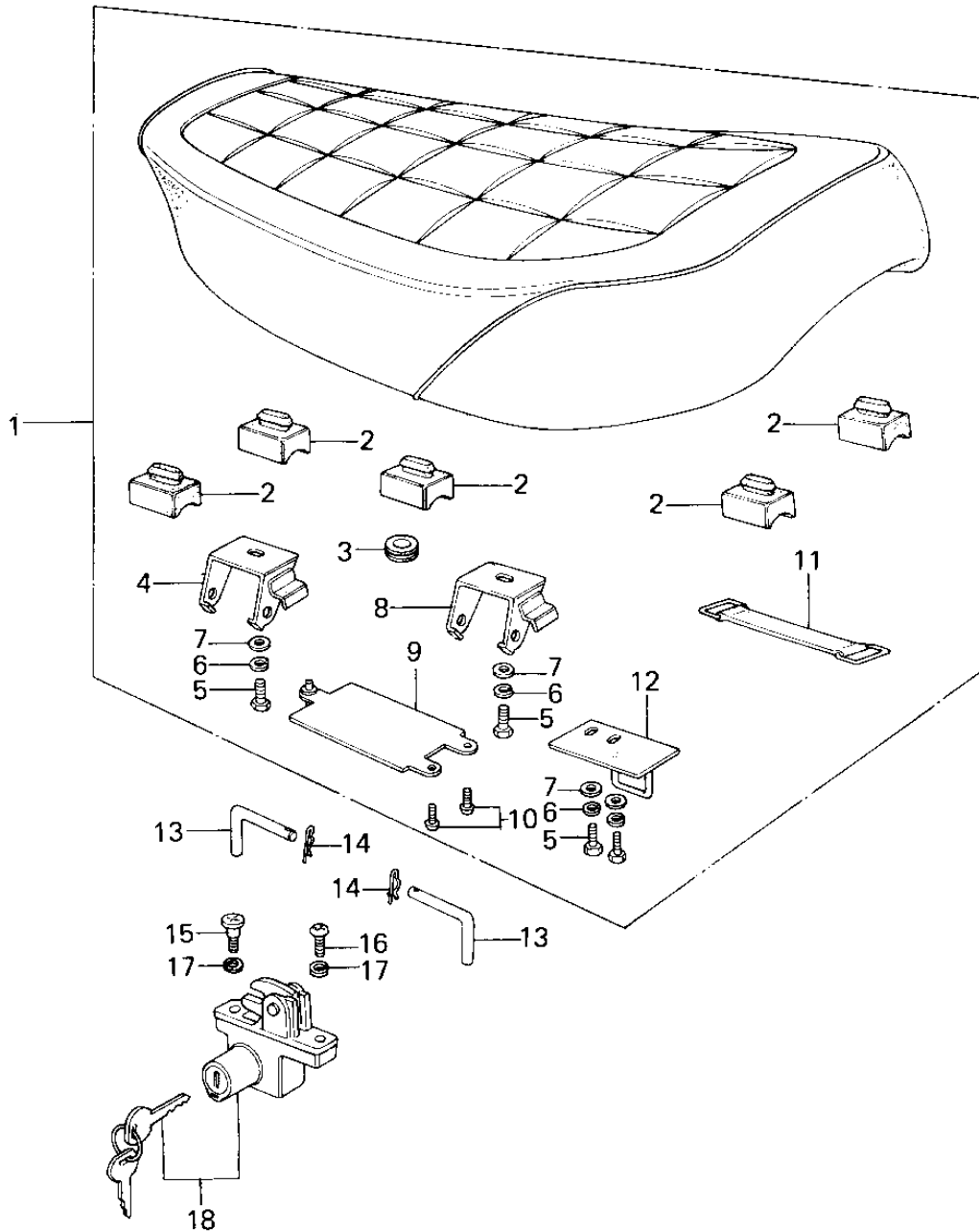


1978 KZ200-A1 PARTS DIAGRAM

SEAT



1978 KZ200-A1 PARTS LIST

SEAT

ITEM NAME	PART NUMBER	QUANTITY
SEAT-ASSY,DUAL,L/BAND (Ref # 1)	53001-1199	1
SEAT-ASSY,DUAL,L/BAND (Ref # 1)	53001-1199	1
DAMPER RUBBER (Ref # 2)	92075-099	5
GROMMET (Ref # 3)	92071-056	1
HINGE,FRONT (Ref # 4)	53009-039	1
BOLT-UPSET 6X14 (Ref # 5)	112B0614	4
WASHER SPRING 6MM (Ref # 6)	461F0600	4
WASHER PLAIN 6MM (Ref # 7)	411B0600	4
HINGE,REAR (Ref # 8)	53009-040	1
CASE (Ref # 9)	32099-011	1
SCREW PAN HEAD 5X8 (Ref # 10)	220B0508	1
BAND (Ref # 11)	92072-1006	2
HOOK,SEAT (Ref # 12)	53008-024	1
PIN (Ref # 13)	53011-010	2
COTTER PIN (Ref # 14)	92041-003	2
BOLT,HELMET HOOK,6MM (Ref # 15)	92001-1021	1
SCREW PAN HEAD 6X14 (Ref # 16)	220B0614	1
WASHER SPRING 6MM (Ref # 17)	461F0600	2
LOCK ASSY,SEAT (Ref # 18)	27016-5024	1