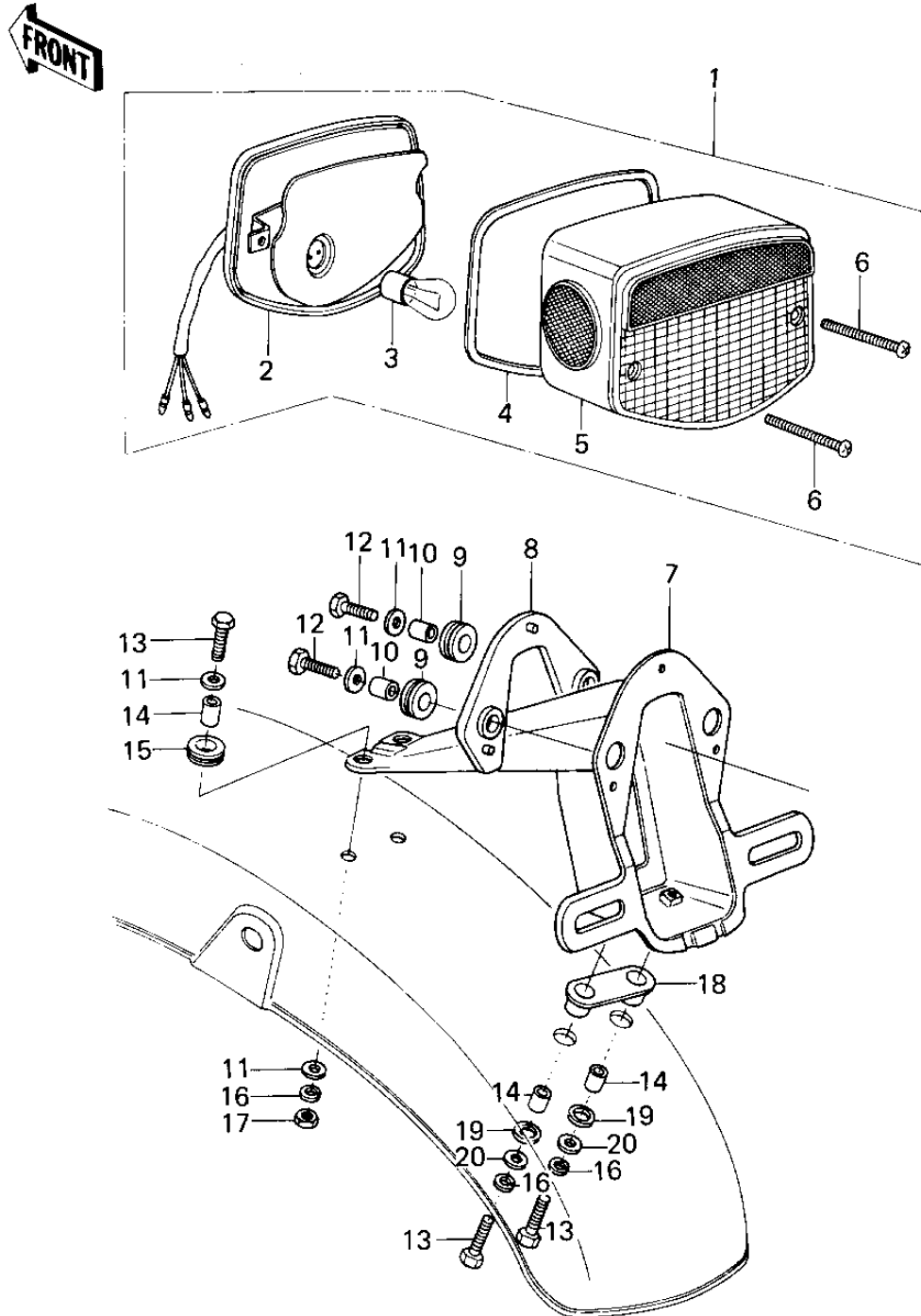


# 1978 KZ200-A1A PARTS DIAGRAM

## TAILLIGHT



# 1978 KZ200-A1A PARTS LIST

## TAILLIGHT

ITEM NAME	PART NUMBER	QUANTITY
TAIL LAMP UNIT (Ref # 1)	23025-064	
CASE,TAIL LIGHT (Ref # 2)	23027-041	
BULB,12V 32/3CP (Ref # 3)	92069-059	
GASKET,TAIL LENS (Ref # 4)	23028-021	
LENS,TAIL LAMP (Ref # 5)	23026-034	
SCREW-PAN-CROS (Ref # 6)	220R0460	
BRACKET,LICENSE PLATE (Ref # 7)	23036-055	
DAMPER RUBBER (Ref # 8)	23066-023	
DAMPER RUBBER (Ref # 9)	23066-020	
COLLAR,6.8X10X8.5 (Ref # 10)	92027-129	
WASHER 6.5X20X1.6T (Ref # 11)	92022-125	
BOLT-UPSET (Ref # 12)	112G0618	
BOLT-UPSET (Ref # 13)	112G0625	
COLLAR (Ref # 14)	92027-241	
DAMPER RUBBER,RR FENR (Ref # 15)	92075-209	
WASHER SPRING 6MM (Ref # 16)	461F0600	
NUT 6MM (Ref # 17)	311B0600	
DAMPER RUBBER,FENDER (Ref # 18)	92075-273	
DAMPER RUBBER,RR FEND (Ref # 19)	92075-121	
WASHER 6.5X22X1.6T (Ref # 20)	92022-237	