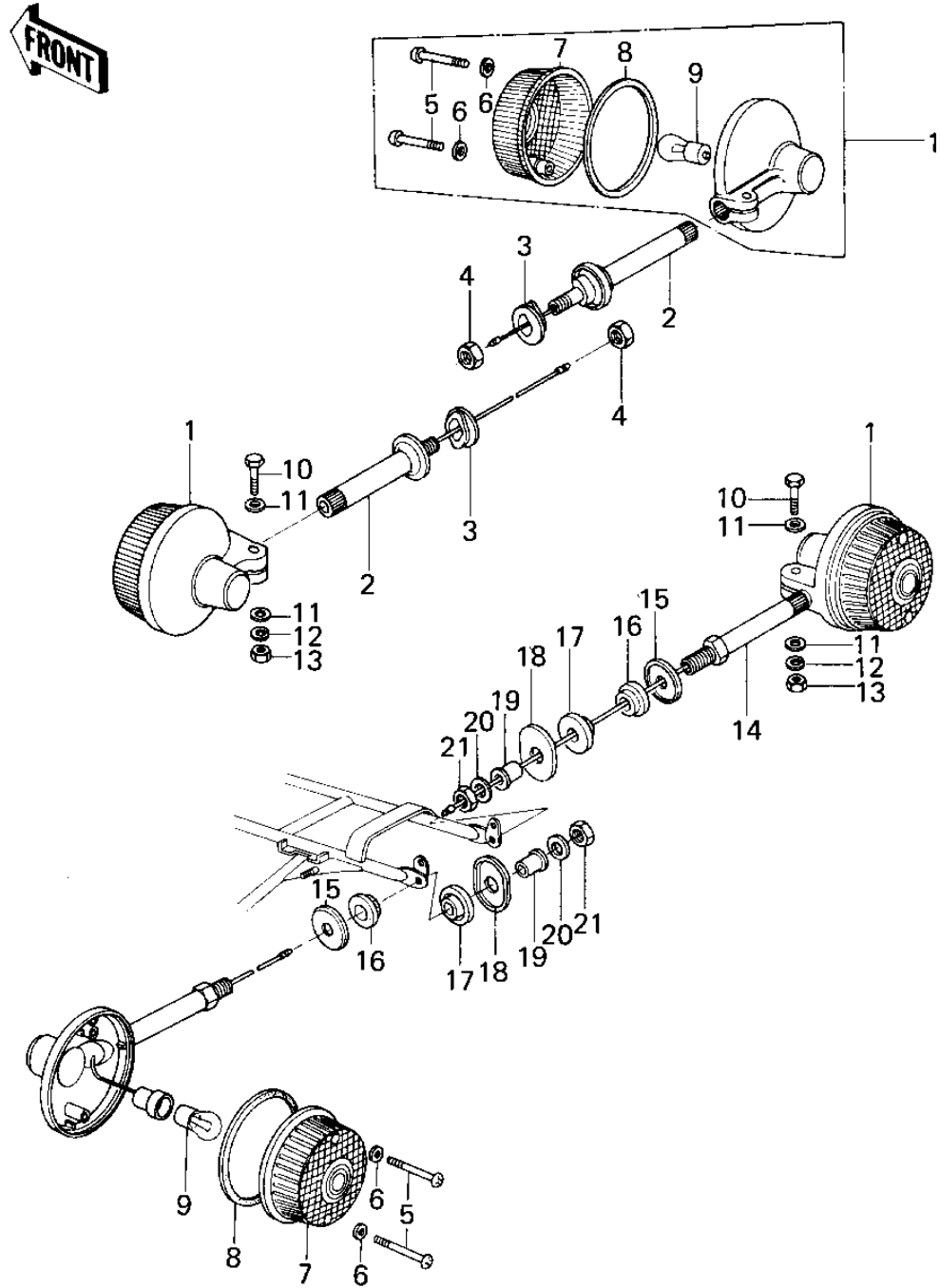


1978 KZ200-A1A PARTS DIAGRAM

TURN SIGNALS



1978 KZ200-A1A PARTS LIST

TURN SIGNALS

ITEM NAME	PART NUMBER	QUANTITY
LAMP,TURN SIGNAL (Ref # 1)	23040-054	
BRACKET,TURN SIGNAL.L (Ref # 2)	23051-053	
DAMPER RUBBER (Ref # 3)	92075-128	
NUT 10MM (Ref # 4)	315B1000	
SCREW-PAN HEAD,4X20 (Ref # 5)	220E0420A	
WASHER-PLAIN,4MM (Ref # 6)	23058-002	
LENS,TURN SIGNAL LAMP (Ref # 7)	23048-1001	
GASKET-SIG LAMP LENS (Ref # 8)	23050-003	
BULB 12V 32CP (Ref # 9)	92069-055	
BOLT-UPSET (Ref # 10)	112G0630	
WASHER PLAIN 6MM (Ref # 11)	411B0600	
WASHER SPRING 6MM (Ref # 12)	461F0600	
NUT 6MM (Ref # 13)	311B0600	
BKT TURN SIGNL LIGHT (Ref # 14)	23051-049	
CAP,SIGNAL LIGHT STAY (Ref # 15)	92102-015	
DAMPER RUBBER,SIGNAL (Ref # 16)	92075-241	
DAMPER RUBBER,SIGNAL (Ref # 17)	92075-238	
CAP,RR SIG LIGHT STAY (Ref # 18)	92102-013	
COLLAR,RR SIG LIGHT (Ref # 19)	92027-225	
WASHER PLAIN 12MM (Ref # 20)	411B1200	
NUT-HEX-FINE,12MM (Ref # 21)	315B1200	