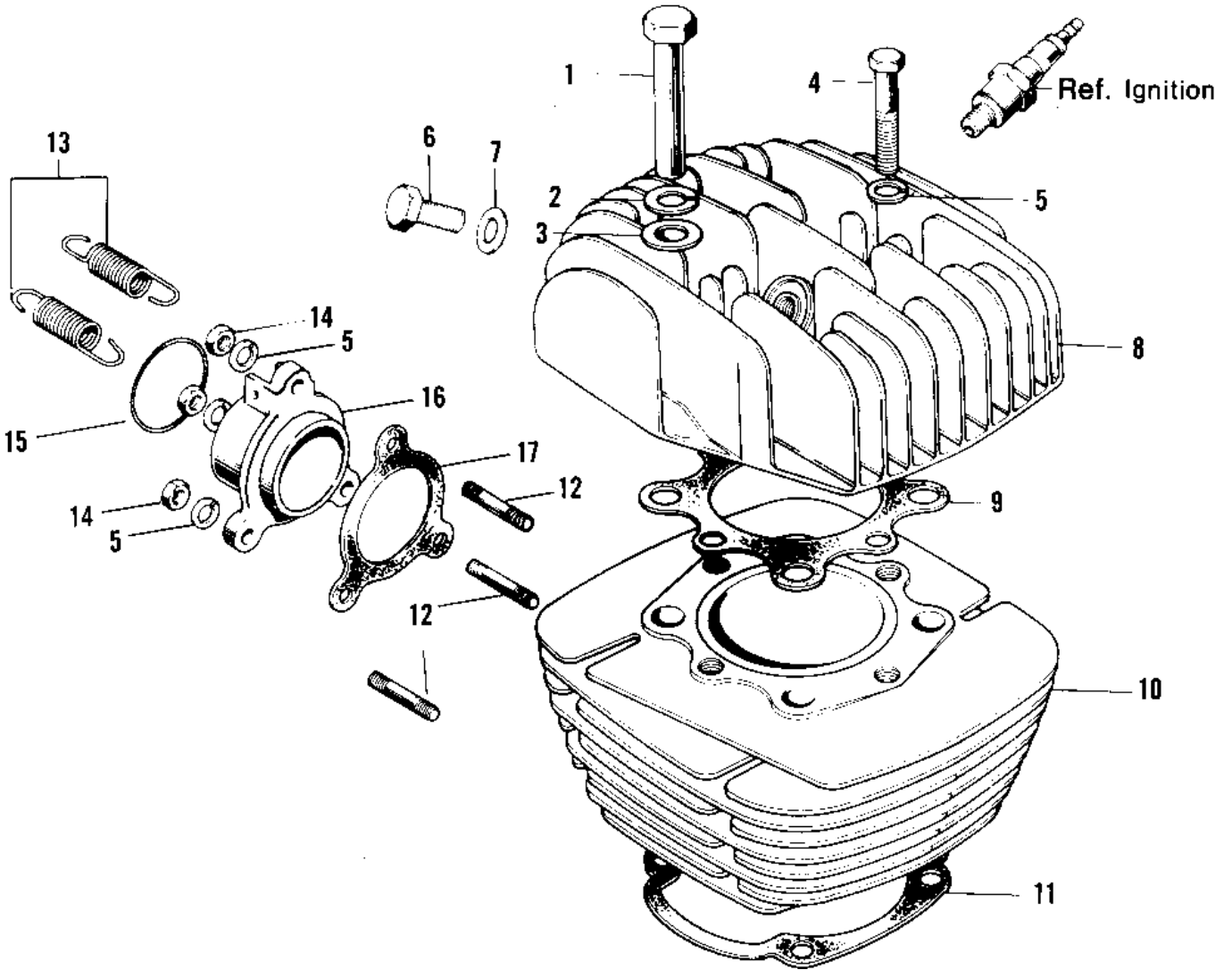


# 1972 F8-A PARTS DIAGRAM

CYLINDER HEAD/CYLINDER (71-72 F8/F8-A)



# 1972 F8-A PARTS LIST

CYLINDER HEAD/CYLINDER ('71-'72 F8/F8-A)

ITEM NAME	PART NUMBER	QUANTITY
NUT 10MM (Ref # 1)	92015-022	4
WASHER SPRING 14MM (Ref # 2)	461F1400	4
WASHER PLAIN 14MM (Ref # 3)	410B1400	4
BOLT,10X45 (Ref # 4)	92001-1182	4
BOLT,10X45 (Ref # 4)	92001-1182	4
WASHER SPRING 8MM (Ref # 5)	461F0800	7
WASHER SPRING 8MM (Ref # 5)	461F0800	7
WASHER SPRING 8MM (Ref # 5)	461F0800	7
PLUG-CYLINDER HEAD (Ref # 6)	92067-005	1
GASKET-CYL HEAD PLUG (Ref # 7)	92065-068	1
CYLINDER HEAD (Ref # 8)	11001-051	1
GASKET HEAD (Ref # 9)	11004-041	1
CYLINDER (Ref # 10)	11005-076	1
GASKET-CYLINDER BASE (Ref # 11)	11009-024	1
STUD 8X20 (Ref # 12)	172G0820	3
SPRING CONNECTOR (Ref # 13)	18071-001	2
NUT 8MM (Ref # 14)	318B0800	3
UNAVAILABLE IN PRICE BOOK (Ref # 15)	56019-102	AR
HOLDER-EXHAUST PIPE (Ref # 16)	18062-004	1
GASKET-EXHAUST PIPE (Ref # 17)	18050-004	1