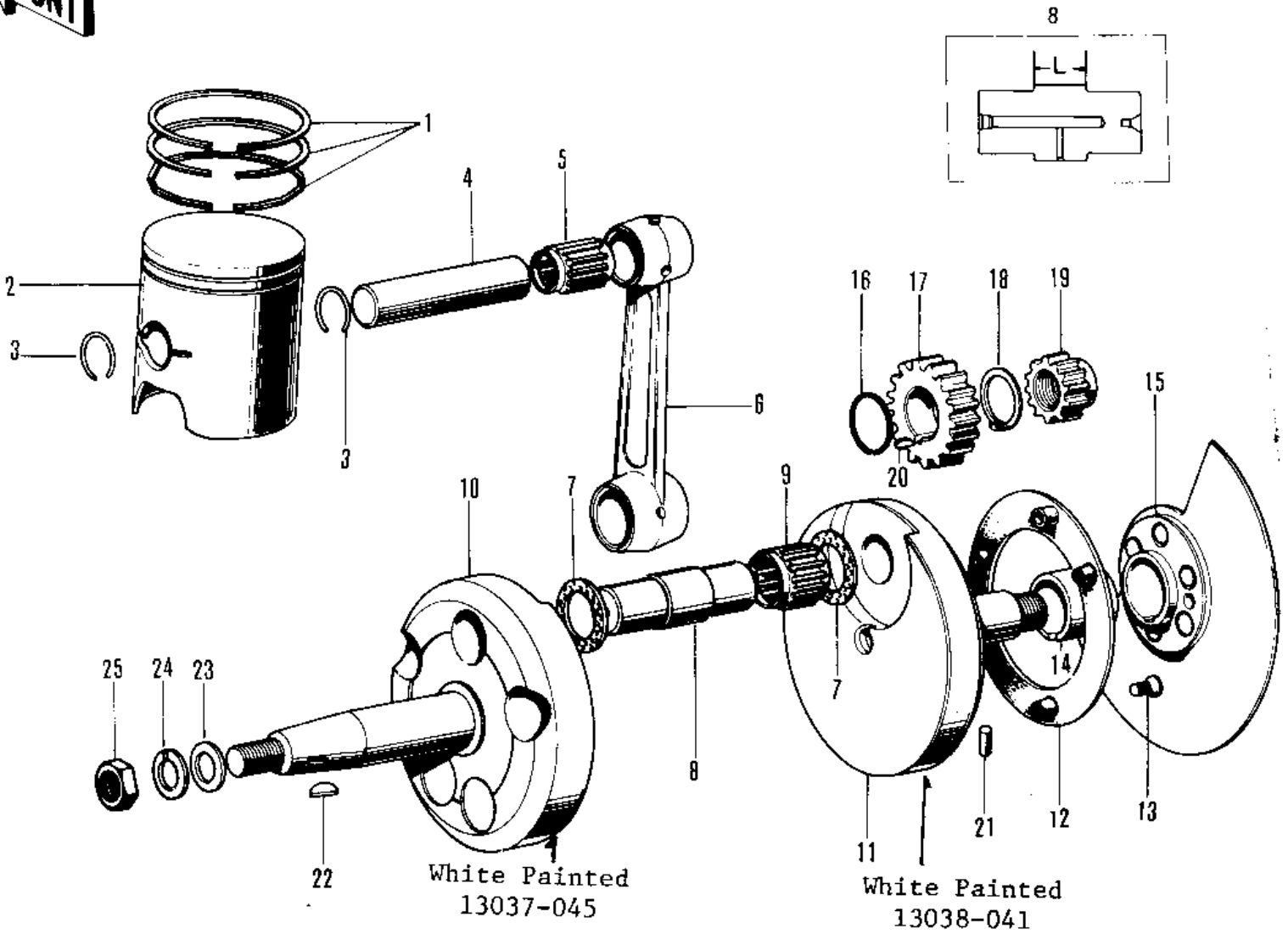


1972 F8-A PARTS DIAGRAM

CRANKSHAFT/PISTON/ROTARY VALVE (F8)



1972 F8-A PARTS LIST

CRANKSHAFT/PISTON/ROTARY VALVE (F8)

| ITEM NAME | PART NUMBER | QUANTITY |
|----------------------------------|-------------|----------|
| RING SET,STD (Ref # 1) | 13008-026 | 1 |
| PISTON,STD (Ref # 2) | 13001-041 | 1 |
| CIRCLIP-PISTON PIN (Ref # 3) | 92036-015 | 2 |
| PIN-PISTON (Ref # 4) | 13002-017 | 1 |
| BEARING-SMALL END (Ref # 5) | 13033-1010 | 1 |
| CRANK&CONROD ASSY (Ref # 6-13) | 13036-036 | (1 |
| CRANK&CONROD ASSY (Ref # 6-13) | 13036-036 | 1 |
| CONNECTING ROD SET (Ref # 6-9) | 13044-009 | 1 |
| CONNECTING ROD SET (Ref # 6-9) | 13044-017 | 1 |
| WASHER-PLAIN (Ref # 7) | 92026-065 | 2 |
| WASHER-CONROD SIDE (Ref # 7) | 92026-069 | 2 |
| CRANK PIN (Ref # 8) | 13035-021 | 1 |
| CRANK PIN (Ref # 8) | 13035-026 | 1 |
| NEEDLE BRG-BIG END (Ref # 9) | 13034-032 | 1 |
| CRANKSHAFT L.H (Ref # 10) | 13037-035 | 1 |
| CRANKSHAFT,L.H (Ref # 10) | 13037-045 | 1 |
| CRANKSHAFT-R.H (Ref # 11) | 13038-031 | 1 |
| CRANKSHAFT,R.H (Ref # 11) | 13038-045 | 1 |
| HOLDER-CRANKSHAFT OIL (Ref # 12) | 13045-006 | 1 |
| SCREW OVL CNTSNK 5X10 (Ref # 13) | 92012-002 | 3 |
| CALLAR-CRANKSHAFT (Ref # 14) | 92027-097 | 1 |
| VALVE-ROTARY DISC (Ref # 15) | 12001-020 | 1 |
| "0" RING,22MM (Ref # 16) | 670B3022 | 1 |
| PINION,PRIMARY 24T (Ref # 17) | 13121-028 | 1 |
| WASHER-LOCK,18MM (Ref # 18) | 92024-029 | 1 |
| PINION-OIL PUMP (Ref # 19) | 16084-011 | 1 |
| WOODRUFF KEY (Ref # 20) | 510A5100 | 1 |
| PIN DOWEL 4X12 (Ref # 21) | 610A0412 | 1 |
| WOODRUFF KEY (Ref # 22) | 92038-001 | 1 |

1972 F8-A PARTS LIST

CRANKSHAFT/PISTON/ROTARY VALVE (F8)

| ITEM NAME | PART NUMBER | QUANTITY |
|-------------------------------|-------------|----------|
| WASHER-PLAIN,14MM (Ref # 23) | 92022-172 | 1 |
| WASHER SPRING 14MM (Ref # 24) | 461F1400 | 1 |
| NUT 14MM (Ref # 25) | 92015-043 | 1 |