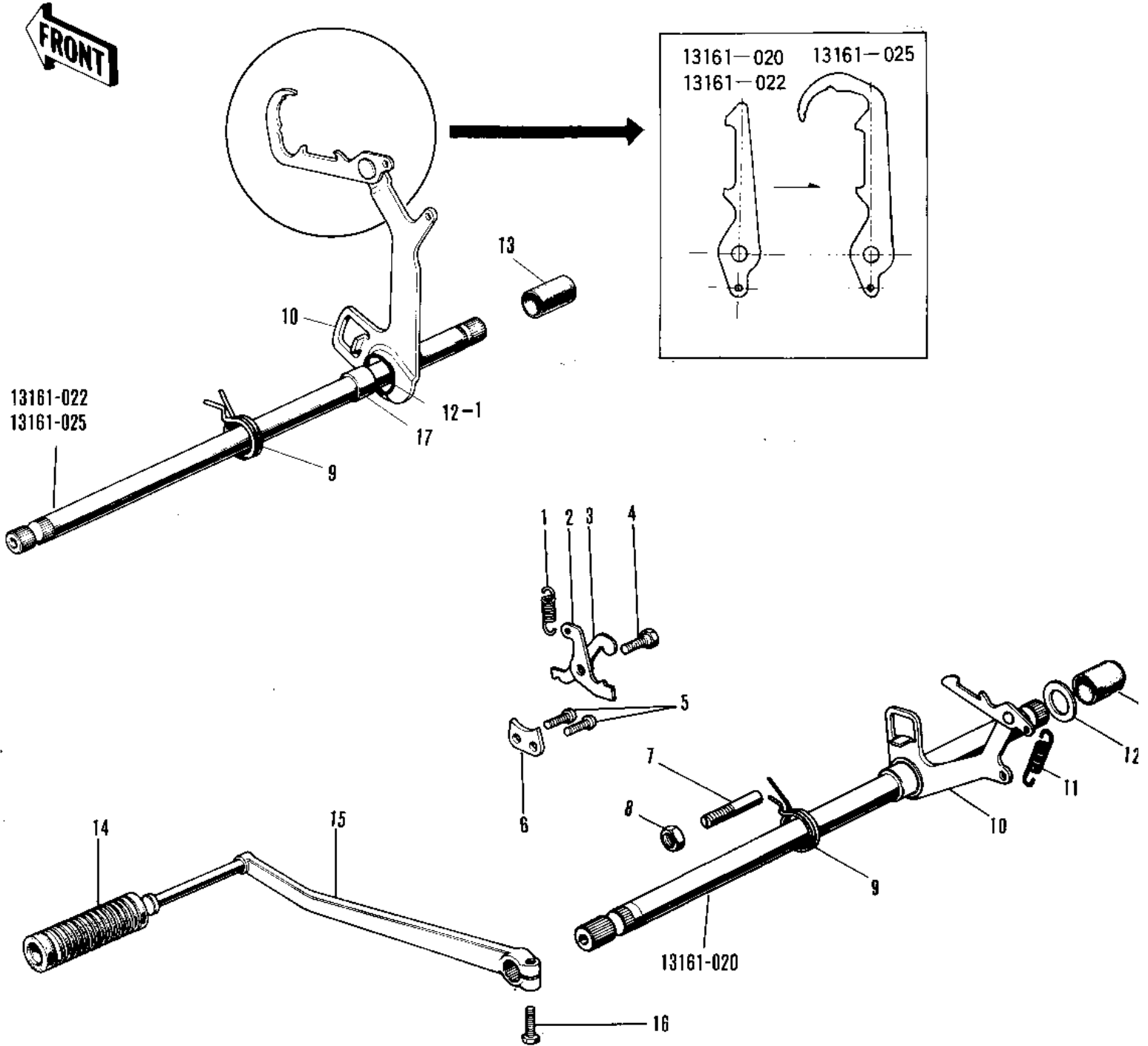


1972 F8-A PARTS DIAGRAM

GEAR CHANGE MECHANISM ('71-'72 F8/F8-A)



1972 F8-A PARTS LIST

GEAR CHANGE MECHANISM ('71-'72 F8/F8-A)

ITEM NAME	PART NUMBER	QUANTITY
SPRING-COIL (Ref # 1)	92081-091	1
LEVER-CHANGE DRUM,B (Ref # 2)	13168-017	1
LEVER-CHANGE DRUM,A (Ref # 3)	13168-016	1
SCREW-PAN HEAD (Ref # 4)	92011-023	1
SCREW PAN HEAD 6X14 (Ref # 5)	220B0614	2
PLATE CHNG DRUM PSTN (Ref # 6)	13169-002	1
PIN CHANGE PEDAL SPRG (Ref # 7)	92043-057	1
NUT 8MM (Ref # 8)	312B0800	1
SPRING,TENTION (Ref # 9)	92081-1129	1
LEVER ASSY GEAR CHNG (Ref # 10)	13161-028	(1
LEVER ASSY GEAR CHNG (Ref # 10)	13161-025	(1
LEVER ASSY GEAR CHNG (Ref # 10)	13161-025	1
SPRING,CHANGE LEVER (Ref # 11)	92144-1720	1
WASHER-PLAIN (Ref # 12)	92022-164	1
SPACER (Ref # 12-1)	92026-068	1
RUBBER CAP (Ref # 13)	13080-004	1
RUBBER CHANGE PEDAL (Ref # 14)	13157-004	1
PEDAL GEAR CHANGE (Ref # 15)	13156-032	1
BOLT-UPSET (Ref # 16)	112G0618	1
COLLAR (Ref # 17)	92027-121	1