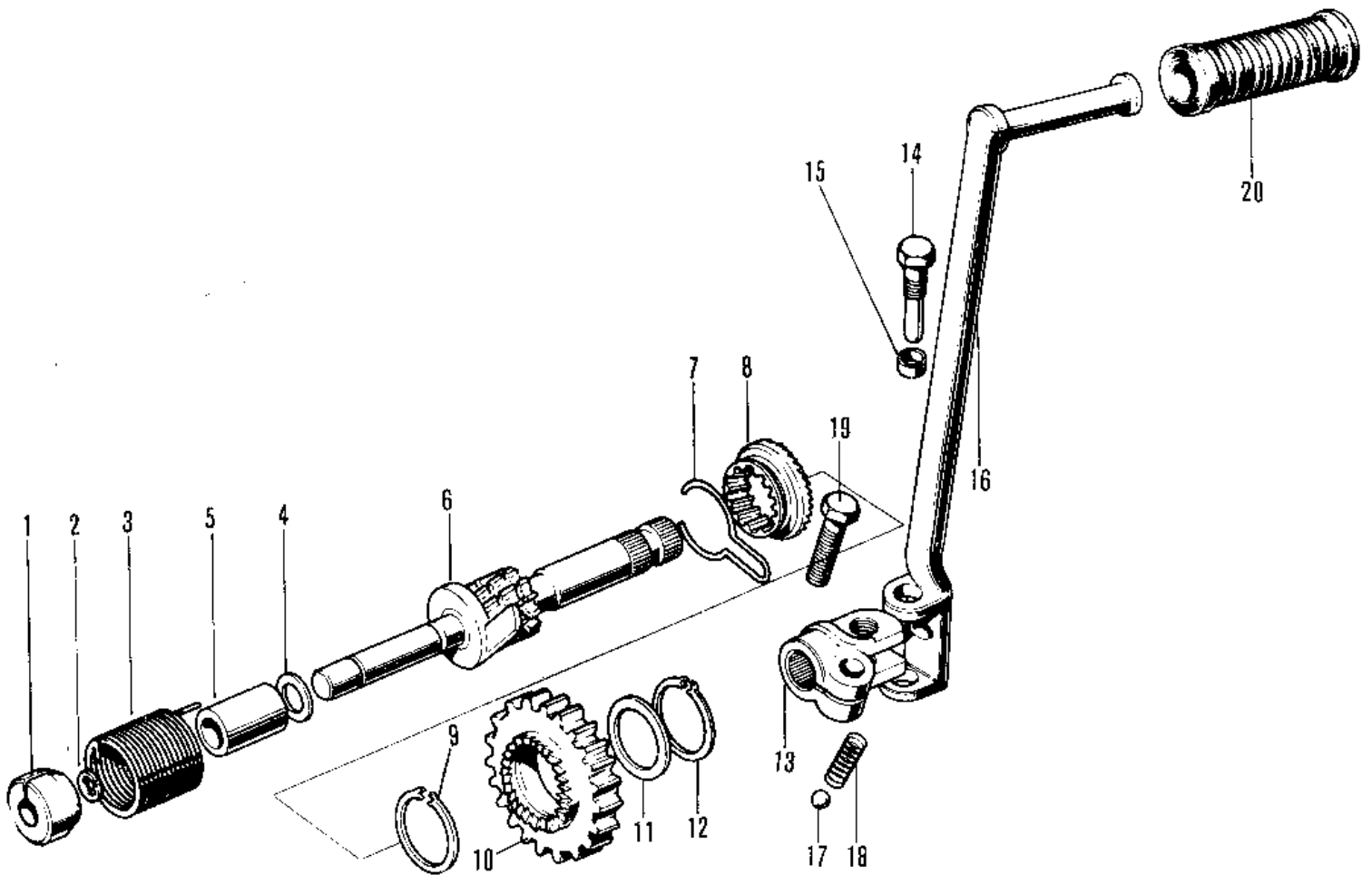


1972 F8-A PARTS DIAGRAM

KICKSTARTER MECHANISM (-E/NO. 05978)



1972 F8-A PARTS LIST

KICKSTARTER MECHANISM (-E/NO. 05978)

ITEM NAME	PART NUMBER	QUANTITY
GUIDE KICK SPRING (Ref # 1)	13070-001	1
CIRCLIP 10MM (Ref # 2)	482J0100	1
SPRING KICKSTARTER (Ref # 3)	92082-002	1
SHIM-KICK SHAFT,0.3T (Ref # 4)	92022-149	AR
SHIM-KICK SHAFT,0.5T (Ref # 4)	92022-150	AR
SHIM-KICK SHAFT,0.7T (Ref # 4)	92022-151	AR
COLLAR (Ref # 5)	92027-126	1
SHAFT-KICKSTARTER (Ref # 6)	13066-023	1
HOLDER KICK GEAR (Ref # 7)	13077-002	1
RATCHET (Ref # 8)	13078-003	1
CIRCLIP (Ref # 9)	92033-021	1
GEAR-KICKSTARTER (Ref # 10)	13068-020	1
WASHER (Ref # 11)	92024-027	1
CIRCLIP (Ref # 12)	92033-022	1
PEDAL-KICKSTARTER (Ref # 13-18)	13058-027	1
BOSS-KICK PEDAL (Ref # 13)	13061-008	1
BOLT-HEX HEAD,10MM (Ref # 14)	92001-085	1
COLLAR (Ref # 15)	92027-101	1
BALL STEEL 1/4' (Ref # 17)	600A0800	1
SPRING KICK PEDAL (Ref # 18)	92081-020	1
BOLT-HEX HEAD,10X25 (Ref # 19)	114B1025	1
RUBBER KICK PEDAL (Ref # 20)	13063-004	1