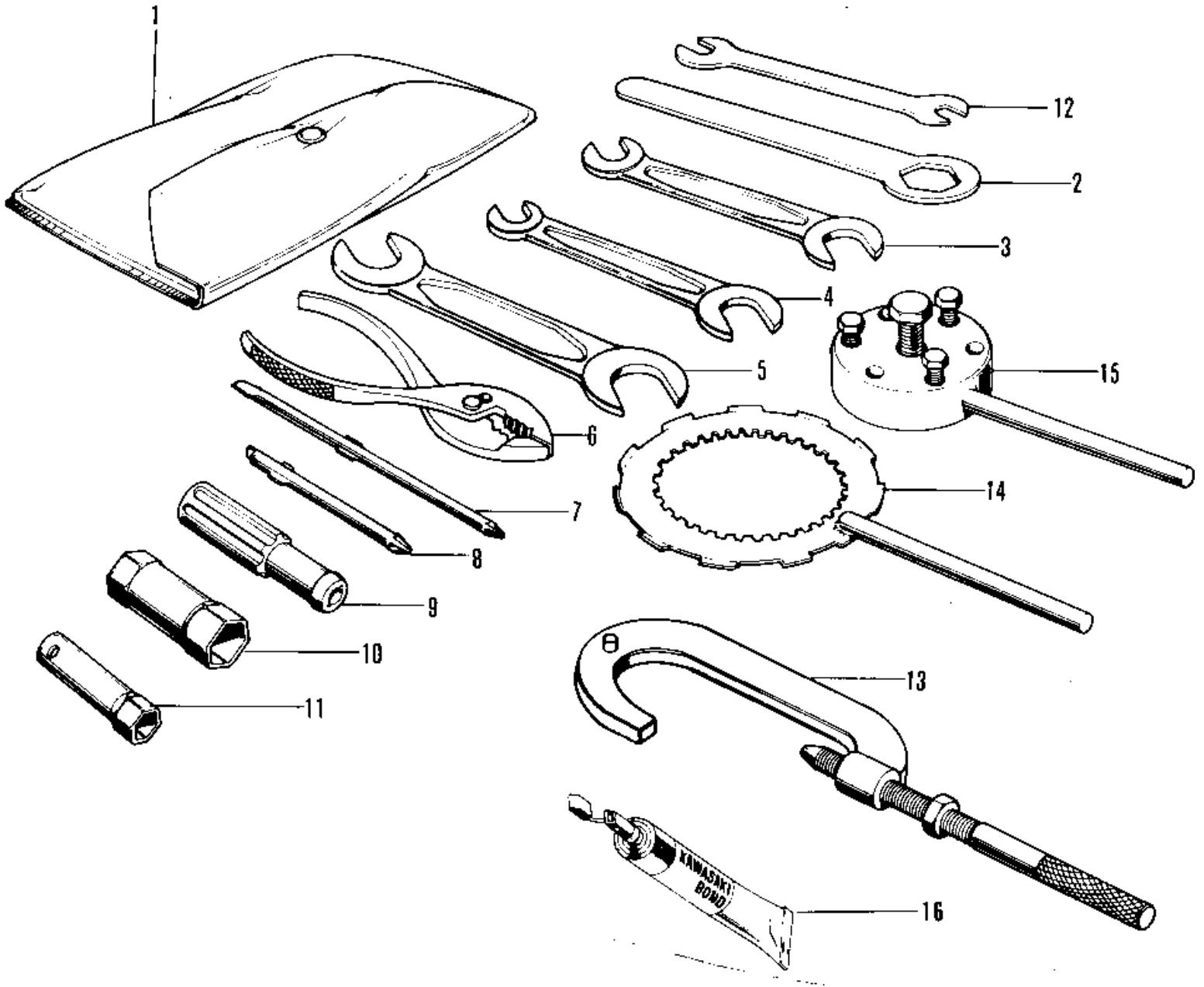


1972 F8-A PARTS DIAGRAM

OWNER TOOLS/SPECIAL SERVICE TOOLS ('71-')



1972 F8-A PARTS LIST

OWNER TOOLS/SPECIAL SERVICE TOOLS ('71-'

| ITEM NAME | PART NUMBER | QUANTITY |
|--|-------------|----------|
| UNAVAILABLE IN PRICE BOOK (Ref # 1-12) | 56007-020 | 1 |
| BAG,TOOL (Ref # 1) | 56008-008 | 1 |
| 92110-1150 (Canada) (Ref # 2) | 92109-003 | 1 |
| UNAVAILABLE IN PRICE BOOK (Ref # 3) | 960B1013 | 1 |
| *** N.L.A.*** (Canada) (Ref # 4) | 960B1014 | 1 |
| *** N.L.A.*** (Canada) (Ref # 5) | 960B1719 | 1 |
| 92112-003 (Canada) (Ref # 6) | 92112-001 | 1 |
| TOOL-DRIVER (Ref # 7) | 92107-1052 | 1 |
| SCREW DRIVER #3 PHLIP (Ref # 8) | 92107-005 | 1 |
| 92106-1001 (Canada) (Ref # 9) | 92106-002 | 1 |
| 92110-012 (Canada) (Ref # 10) | 92110-009 | 1 |
| WRENCH BOX 10MM (Ref # 11) | 92110-007 | 1 |
| 92108-011 (Canada) (Ref # 12) | 92108-004 | 1 |
| 57001-1243 (Canada) (Ref # 13) | 56019-040 | 1 |
| 57001-1243 (Canada) (Ref # 14) | 56019-067 | 1 |
| UNAVAILABLE IN PRICE BOOK (Ref # 15) | 56019-068 | 1 |
| LIQUID GASKET (Ref # 16) | 92104-002 | 1 |