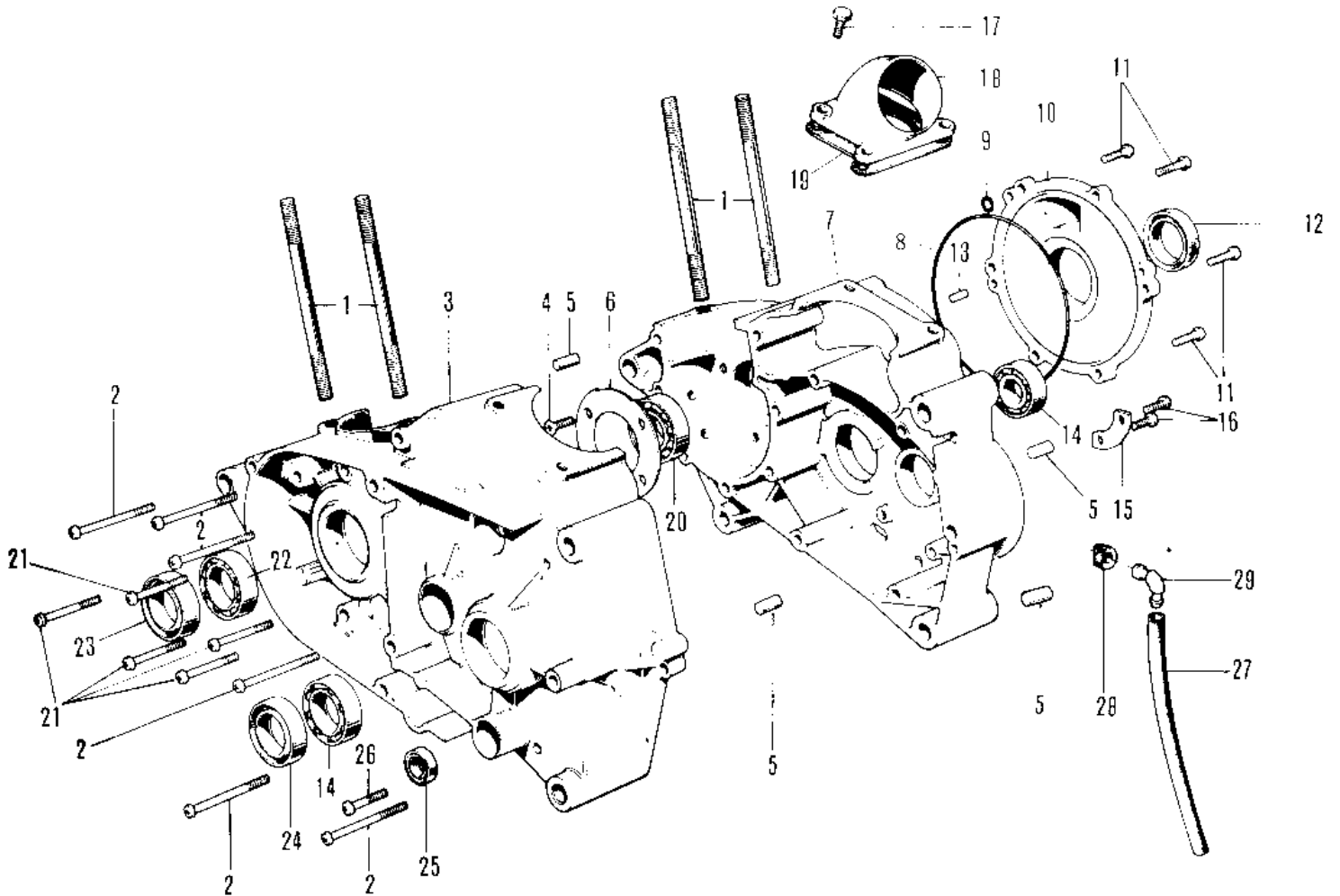


1972 F8-A PARTS DIAGRAM

CRANKCASE ('71 F81M)

FRONT



1972 F8-A PARTS LIST

CRANKCASE ('71 F81M)

ITEM NAME	PART NUMBER	QUANTITY
STUD 10X75 (Ref # 1)	172G1075	4
SCREW PAN HEAD 6X75 (Ref # 2)	220B0675	6
CRANKCASE SET (Ref # 3)	14001-065	1
SCREW CNTSNK HD 6X16 (Ref # 4)	221B0616	4
PIN,DOWEL,10X8.2X14 (Ref # 5)	92043-1037	4
HOLDER-CRANK BEARING (Ref # 6)	14014-019	1
CRANKCASE,R.H (Ref # 7)	14003-056	1
"O" RING,134.5MM (Ref # 8)	92055-039	1
"O" RING,5MM (Ref # 9)	670B1505	1
COVER-ROTARY DISC VLV (Ref # 1)	14019-047	1
SCREW PAN HEAD 6X20 (Ref # 11)	220B0620	6
OIL SEAL TB35488 (Ref # 12)	653B354808	1
PIN DOWEL 5X12 (Ref # 13)	610A0512	2
BEARING BALL #6205 (Ref # 14)	601B6205	2
HOLDER-MISSION BERNG (Ref # 15)	14014-020	1
SCREW PAN HEAD 6X14 (Ref # 16)	220B0614	2
BOLT-UPSET,6X20 (Ref # 17)	112G0620	4
INLET PIPE (Ref # 18)	11015-021	1
GASKET-INLET PIPE (Ref # 19)	11017-005	1
BEARING-BALL (Ref # 20)	92045-016	1
SCREW PAN HEAD 6X50 (Ref # 21)	220B0650	5
BEARING BALL #6305 (Ref # 22)	601B6305	1
SEAL-OIL (Ref # 23)	92049-1250	1
OIL SEAL TB3040 (Ref # 24)	92050-033	1
OIL SEAL SB12205 (Ref # 25)	92049-004	1
SCREW PAN HEAD 6X30 (Ref # 26)	220B0630	1
BREATHER ASSY (Ref # 27)	14069-1001	1
GROMMET (Ref # 28)	92071-042	1
PIPE-BREATHER (Ref # 29)	92059-061	1