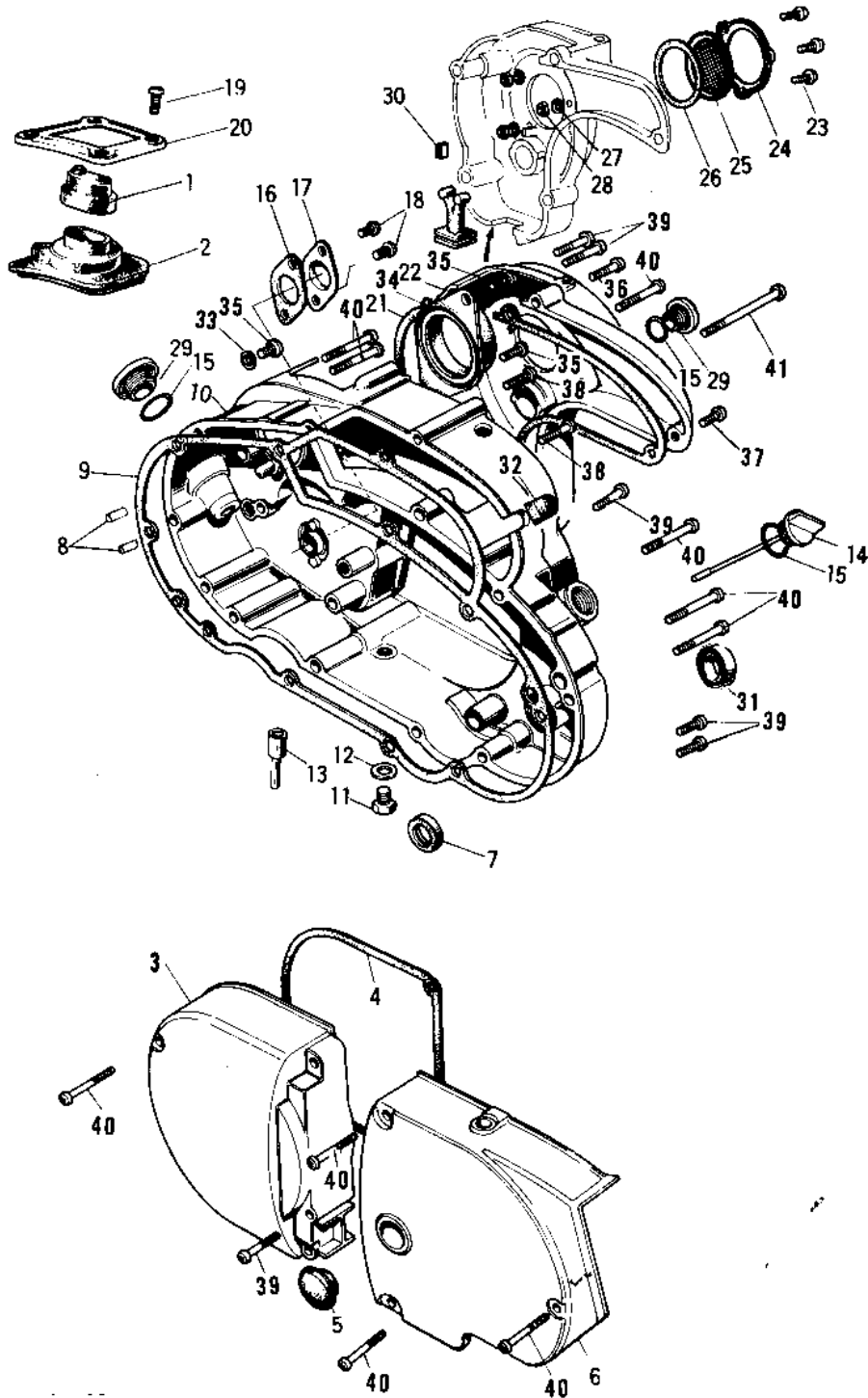


1972 F8-A PARTS DIAGRAM

ENGINE COVERS (71 F81M)



1972 F8-A PARTS LIST

ENGINE COVERS (71 F81M)

ITEM NAME	PART NUMBER	QUANTITY
GROMMET-CARB CAP (Ref # 1)	14038-031	1
CAP-CARBURETOR (Ref # 2)	14038-029	1
COVER,L.H ENGINE,BUFF (Ref # 3)	14031-038-80	1
GASKET-L.H ENG COVER (Ref # 4)	14045-008	1
CAP-CLUTCH HOLE (Ref # 5)	14040-003	1
COVER,CHAIN-CASE (Ref # 6)	14026-005-E8	1
OIL SEAL SB20285 (Ref # 7)	92049-012	1
PIN DOWEL 5X12 (Ref # 8)	610A0512	2
GASKET-R.H-ENG.CVR (Ref # 9)	14046-020	1
COVER-R.H ENGINE (Ref # 10)	14032-065	1
PLUG OIL DRAIN (Ref # 11)	92067-001	1
GASKET CHECK VALVE (Ref # 12)	92065-058	1
PIPE FUEL OVERFLOW (Ref # 13)	16116-001	1
PLUG-OIL FILLER (Ref # 14)	16115-017	1
"O" RING,20MM (Ref # 15)	670B2020	3
GASKET,OIL PUMP (Ref # 16)	11060-1160	1
PLUG-OIL PUMP-HOLE (Ref # 17)	92084-004	1
SCREW PAN HEAD 5X8 (Ref # 18)	220B0508	2
SCREW PAN HEAD 5X12 (Ref # 19)	220B0512	4
HOLDER-CARBURETOR CAP (Ref # 20)	14065-001	1
GASKET-CARBURETOR COV (Ref # 21)	14048-002	1
COVER-CARBURETOR (Ref # 22)	14030-031	1
SCREW PAN HEAD 4X16 (Ref # 23)	220B0416	3
HOLDER-AIR FILTER (Ref # 24)	14065-003	1
FILTER AIR (Ref # 25)	14063-002	1
GASKET-AIR FILTER (Ref # 26)	92065-074	1
WASHER SPRING 4MM (Ref # 27)	461F0400	3
NUT,4MM (Ref # 28)	311B0400	3
PLUG-CARBURETOR COVER (Ref # 29)	92067-006	2

1972 F8-A PARTS LIST

ENGINE COVERS (71 F81M)

ITEM NAME	PART NUMBER	QUANTITY
STOPPER-CARBURETOR (Ref # 30)	14064-001	1
OIL SEAL SB12205 (Ref # 31)	92049-004	1
GROMMET (Ref # 32)	92071-047	1
WASHER OIL PUMP BANJO (Ref # 33)	92022-077	1
HOLDER-CARBURETOR (Ref # 34)	16065-005	1
SCREW PAN HEAD 6X12 (Ref # 35)	220B0612	3
SCREW PAN HEAD 6X20 (Ref # 36)	220B0620	2
SCREW PAN HEAD 6X25 (Ref # 37)	220B0625	3
SCREW PAN HEAD 6X30 (Ref # 38)	220B0630	2
SCREW PAN HEAD 6X35 (Ref # 39)	220B0635	7
SCREW PAN HEAD 6X55 (Ref # 40)	220B0655	10
SCREW PAN HEAD 6X70 (Ref # 41)	220B0670	1