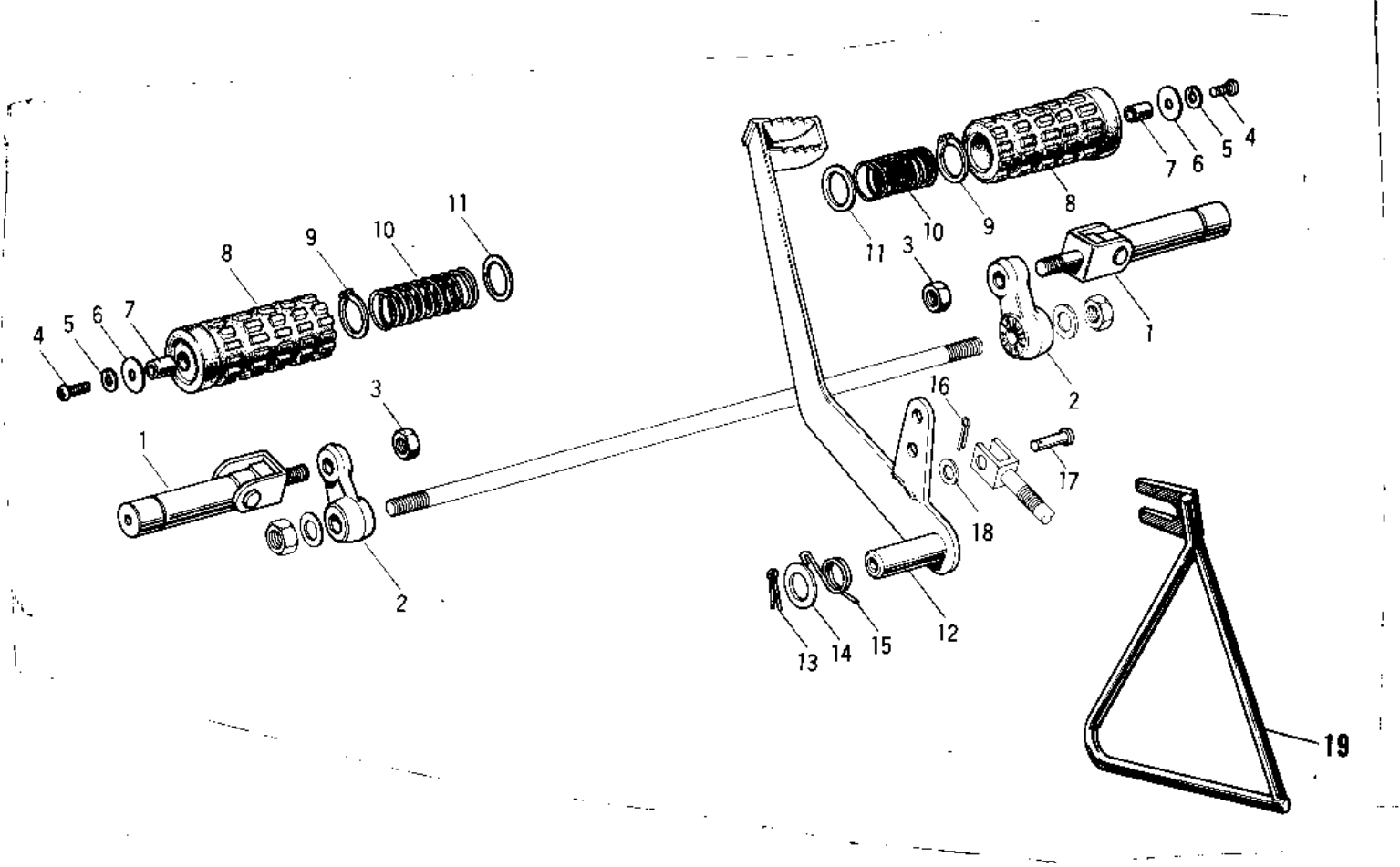


# 1972 F8-A PARTS DIAGRAM

FOOTRESTS/STAND/BRAKE PEDAL (71 F81M)



R



# 1972 F8-A PARTS LIST

FOOTRESTS/STAND/BRAKE PEDAL (71 F81M)

ITEM NAME	PART NUMBER	QUANTITY
BAR ASSY,FOOTREST (Ref # 1)	34002-051	2
BRACKET-FOOTREST BAR (Ref # 2)	34007-009	2
NUT-LOCK,12MM (Ref # 3)	92019-009	2
BOLT-UPSET (Ref # 4)	112G0618	2
WASHER SPRING 6MM (Ref # 5)	461F0600	2
WASHER 6.5X20X1.6T (Ref # 6)	92022-125	2
COLLAR (Ref # 7)	92027-103	2
RUBBER-FOOTREST (Ref # 8)	92076-023	2
CIRCLIP 16MM (Ref # 9)	480J1600	2
SPRING FOOTREST PEG (Ref # 10)	34006-002	2
WASHER FOLDING PEG (Ref # 11)	92022-049	2
PEDAL-BRAKE,BLACK (Ref # 12)	43001-036-10	1
PIN COTTER 3.0X30 (Ref # 13)	550D3030	1
WASHER BRAKE PEDAL (Ref # 14)	92022-085	1
SPRING-BRAKE PEDAL (Ref # 15)	43005-013	1
PIN COTTER 2.0X15 (Ref # 16)	550D2015	1
PIN R BRK CABLE JOINT (Ref # 17)	92043-034	1
WASHER PLAIN 6MM (Ref # 18)	410B0600	1
STAND-PORTABLE (Ref # 19)	34033-011	1