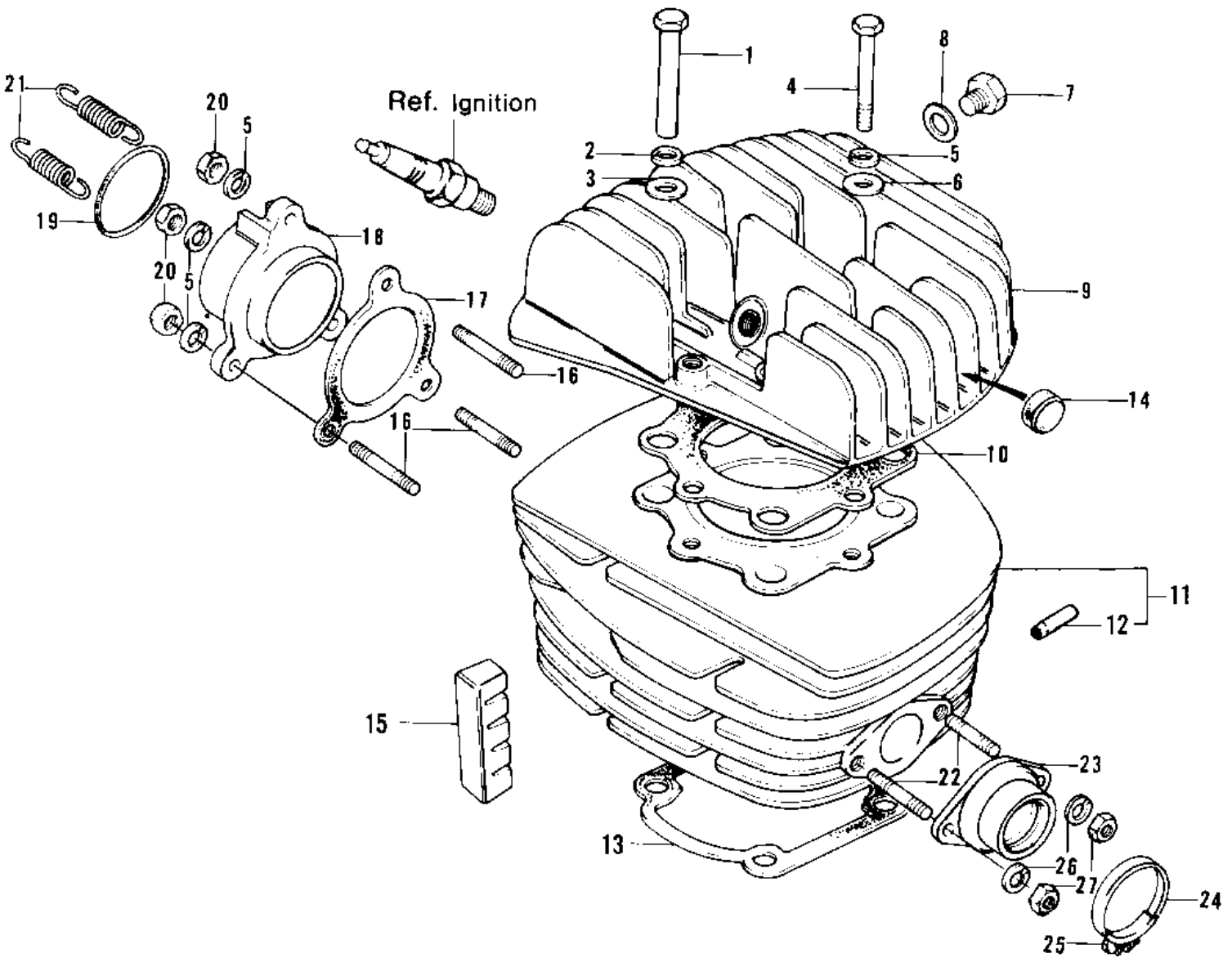


1973 F11 PARTS DIAGRAM

CYLINDER HEAD/CYLINDER ('73-'75 F11/F11-



1973 F11 PARTS LIST

CYLINDER HEAD/CYLINDER ('73-'75 F11/F11-

ITEM NAME	PART NUMBER	QUANTITY
NUT,10MM (Ref # 1)	92015-051	4
WASHER SPRING 14MM (Ref # 2)	461F1400	4
WASHER PLAIN 14MM (Ref # 3)	410B1400	4
BOLT,10X45 (Ref # 4)	92001-1182	4
BOLT,10X45 (Ref # 4)	92001-1182	4
WASHER SPRING 8MM (Ref # 5)	461F0800	7
WASHER SPRING 8MM (Ref # 5)	461F0800	7
WASHER SPRING 8MM (Ref # 5)	461F0800	7
WASHER PLAIN 8MM (Ref # 6)	410B0800	4
PLUG-CYLINDER HEAD (Ref # 7)	92067-005	1
GASKET-CYL HEAD PLUG (Ref # 8)	92065-068	1
CYLINDER HEAD,F.BLAC (Ref # 9)	11001-068-21	1
GASKET-CYLINDER HEAD (Ref # 10)	11004-050	1
GASKET,CYLINDER HEAD (Ref # 10)	11004-055	1
CYLINDER,F.BLACK (Ref # 11)	11005-089-21	1
.NOZZLE (Ref # 12)	92062-009	1
GASKET-CYLINDER BASE (Ref # 13)	11009-029	1
DAMPER RUBBER (Ref # 14)	92075-075	15
DAMPER RUBBER-CYLNDE (Ref # 15)	92075-142	5
STUD 8X20 (Ref # 16)	172G0820	3
GASKET-EXHAUST PIPE (Ref # 17)	18050-004	1
HOLDER-EXHAUST PIPE (Ref # 18)	18062-004	1
UNAVAILABLE IN PRICE BOOK (Ref # 19)	56019-102	AR
NUT 8MM (Ref # 20)	318B0800	3
SPRING-CONNECTOR (Ref # 21)	18071-003	2
STUD,8X12 (Ref # 22)	172G0812	2
HOLDER-CARBURETOR (Ref # 23)	16065-011	1
CLAMP-INLET PIPE (Ref # 24)	92037-061	1
SCREW-PAN-CROS (Ref # 25)	220B0535	1