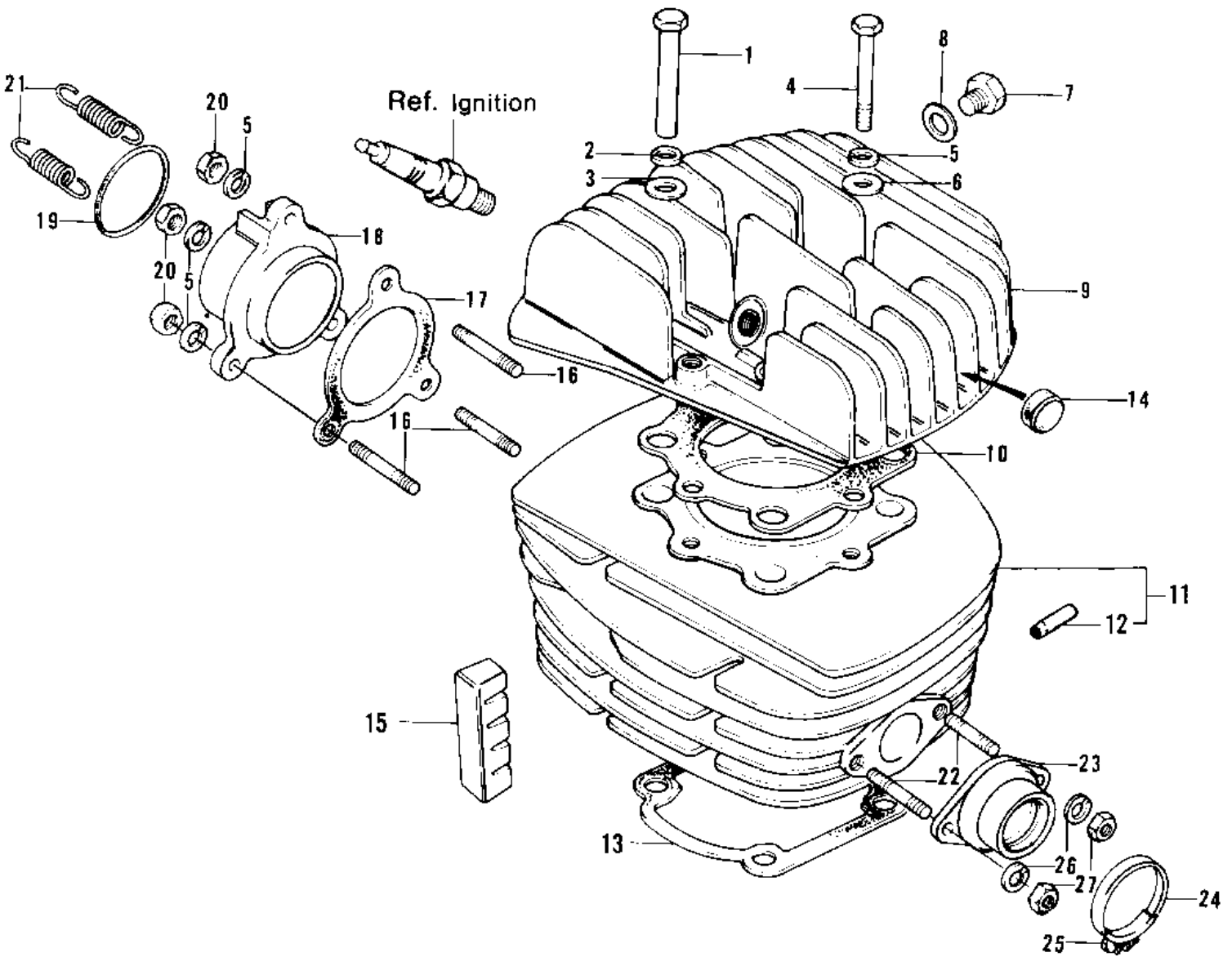


# 1975 F11-B PARTS DIAGRAM

CYLINDER HEAD/CYLINDER (73-75 F11/F11-



# 1975 F11-B PARTS LIST

CYLINDER HEAD/CYLINDER ('73-'75 F11/F11-

ITEM NAME	PART NUMBER	QUANTITY
NUT,10MM (Ref # 1)	92015-051	
WASHER SPRING 14MM (Ref # 2)	461F1400	
WASHER PLAIN 14MM (Ref # 3)	410B1400	
BOLT,10X45 (Ref # 4)	92001-1182	
BOLT,10X45 (Ref # 4)	92001-1182	
WASHER SPRING 8MM (Ref # 5)	461F0800	
WASHER SPRING 8MM (Ref # 5)	461F0800	
WASHER SPRING 8MM (Ref # 5)	461F0800	
WASHER PLAIN 8MM (Ref # 6)	410B0800	
PLUG-CYLINDER HEAD (Ref # 7)	92067-005	
GASKET-CYL HEAD PLUG (Ref # 8)	92065-068	
CYLINDER HEAD,F.BLAC (Ref # 9)	11001-068-21	
GASKET-CYLINDER HEAD (Ref # 10)	11004-050	
GASKET,CYLINDER HEAD (Ref # 10)	11004-055	
CYLINDER,F.BLACK (Ref # 11)	11005-089-21	
.NOZZLE (Ref # 12)	92062-009	
GASKET-CYLINDER BASE (Ref # 13)	11009-029	
DAMPER RUBBER (Ref # 14)	92075-075	
DAMPER RUBBER-CYLNDE (Ref # 15)	92075-142	
STUD 8X20 (Ref # 16)	172G0820	
GASKET-EXHAUST PIPE (Ref # 17)	18050-004	
HOLDER-EXHAUST PIPE (Ref # 18)	18062-004	
UNAVAILABLE IN PRICE BOOK (Ref # 19)	56019-102	
NUT 8MM (Ref # 20)	318B0800	
SPRING-CONNECTOR (Ref # 21)	18071-003	
STUD,8X12 (Ref # 22)	172G0812	
HOLDER-CARBURETOR (Ref # 23)	16065-011	
CLAMP-INLET PIPE (Ref # 24)	92037-061	
SCREW-PAN-CROS (Ref # 25)	220B0535	