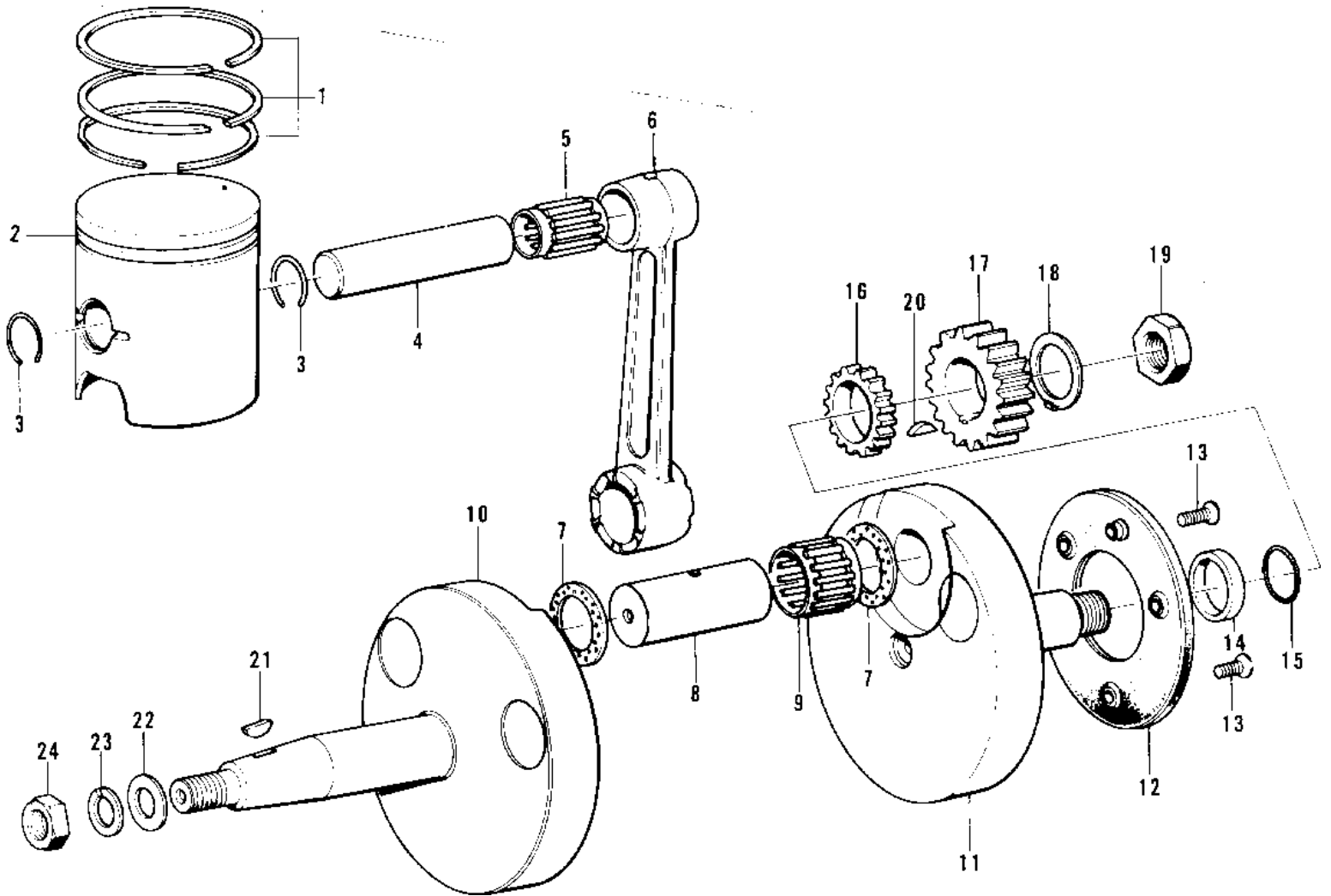


1973 F11M PARTS DIAGRAM

CRANKSHAFT/PISTON ('73-'75 F11/F11-A/F11)



1973 F11M PARTS LIST

CRANKSHAFT/PISTON ('73-'75 F11/F11-A/F11)

ITEM NAME	PART NUMBER	QUANTITY
RING SET,STD (Ref # 1)	13008-026	
RING SET,0.020" O.S (Ref # 1)	13025-030	
RING SET,0.040" O.S (Ref # 1)	13024-033	
PISTON,STD (Ref # 2)	13001-053	
PISTON,0.020' O.S (Ref # 2)	13029-055	
PISTON,0.040' O.S (Ref # 2)	13027-053	
CIRCLIP-PISTON PIN (Ref # 3)	92036-015	
PIN-PISTON (Ref # 4)	13002-017	
BEARING-SMALL END (Ref # 5)	13033-1010	
CONNECTING ROD SET (Ref # 6~9)	13044-023	
CRANK&CONROD ASSY (Ref # 6~13)	13036-037	
SPACER (Ref # 7)	92026-1241	
CRANK PIN (Ref # 8)	13035-031	
PK243219.8XBEARING,BIG END NEED (Ref # 9)	13034-049	
CRANKSHAFT,L.H (Ref # 10)	13037-049	
CRANKSHAFT,R.H (Ref # 11)	13038-044	
OIL RECEIVER (Ref # 12)	13045-009	
SCREW OVL CNTSNK 5X1 (Ref # 13)	92012-002	
COLLAR-CRANKSHAFT (Ref # 14)	92027-144	
"0" RING,20MM (Ref # 15)	670B2020	
PINION-OIL PUMP (Ref # 16)	16084-013	
PINION-PRIMARY (Ref # 17)	13121-022	
WASHER,LOCK,18MM (Ref # 18)	92024-067	
NUT 18MM (Ref # 19)	92015-019	
WOODRUFF KEY (Ref # 20)	510A5100	
WOODRUFF KEY (Ref # 21)	92038-001	
WASHER-PLAIN,14MM (Ref # 22)	92022-172	
WASHER SPRING 14MM (Ref # 23)	461F1400	
NUT 14MM (Ref # 24)	92015-043	