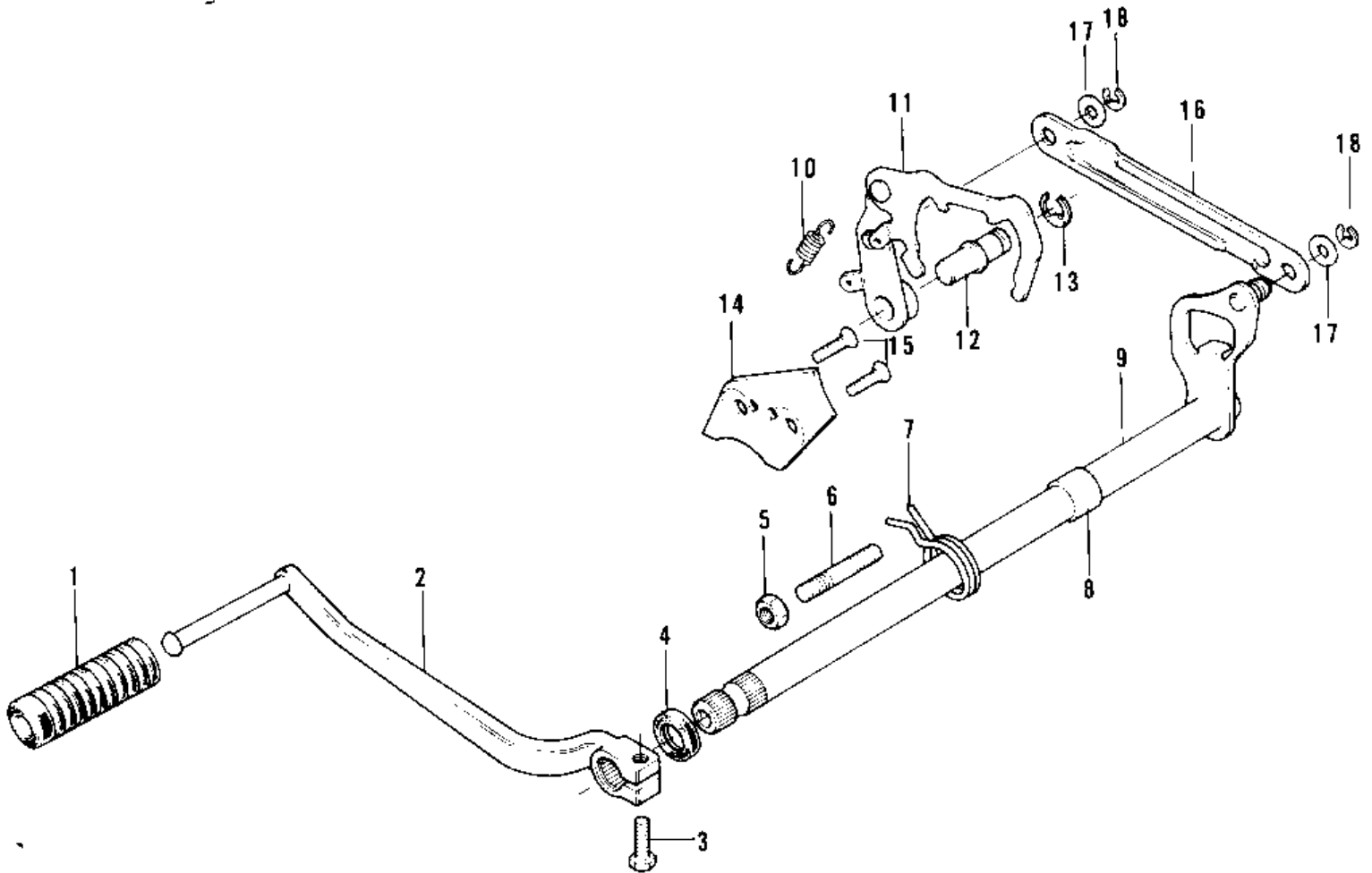


# 1973 F11 PARTS DIAGRAM

GEAR CHANGE MECHANISM ('73-'75 F11/F11-A)



# 1973 F11 PARTS LIST

GEAR CHANGE MECHANISM ('73-'75 F11/F11-A)

ITEM NAME	PART NUMBER	QUANTITY
RUBBER CHANGE PEDAL (Ref # 1)	13157-004	1
PEDAL GEAR CHANGE (Ref # 1,2)	13156-043	1
BOLT-UPSET,6X20 (Ref # 3)	112G0620	1
BOLT-UPSET,6X20 (Ref # 3)	112G0620	AL
SEAL-OIL (Ref # 4)	92049-1271	1
NUT 8MM (Ref # 5)	312B0800	1
BOLT,RETURN SPRING (Ref # 6)	92001-1401	1
SPRING,CHG PEDL RTN (Ref # 7)	92083-021	1
COLLAR (Ref # 8)	92027-121	1
SHAFT ASSY-CHNG PEDA (Ref # 9)	13172-002	1
SPRING-CHANG LEVER (Ref # 10)	92081-101	1
LEVER ASSY GEAR CHNG (Ref # 11)	13161-027	1
PIN-CHANGE LEVER (Ref # 12)	92043-077	1
CIRCLIP 8MM (Ref # 13)	482J8000	1
PLATE-CHNG DRUM POTO (Ref # 14)	13169-008	1
SCREW CNTSNK HD 6X14 (Ref # 15)	221B0614	2
CONNECTOR (Ref # 16)	13159-011	1
WASHER-PLAIN (Ref # 17)	92022-201	2
CIRCLIP 6MM (Ref # 18)	482J6000	2