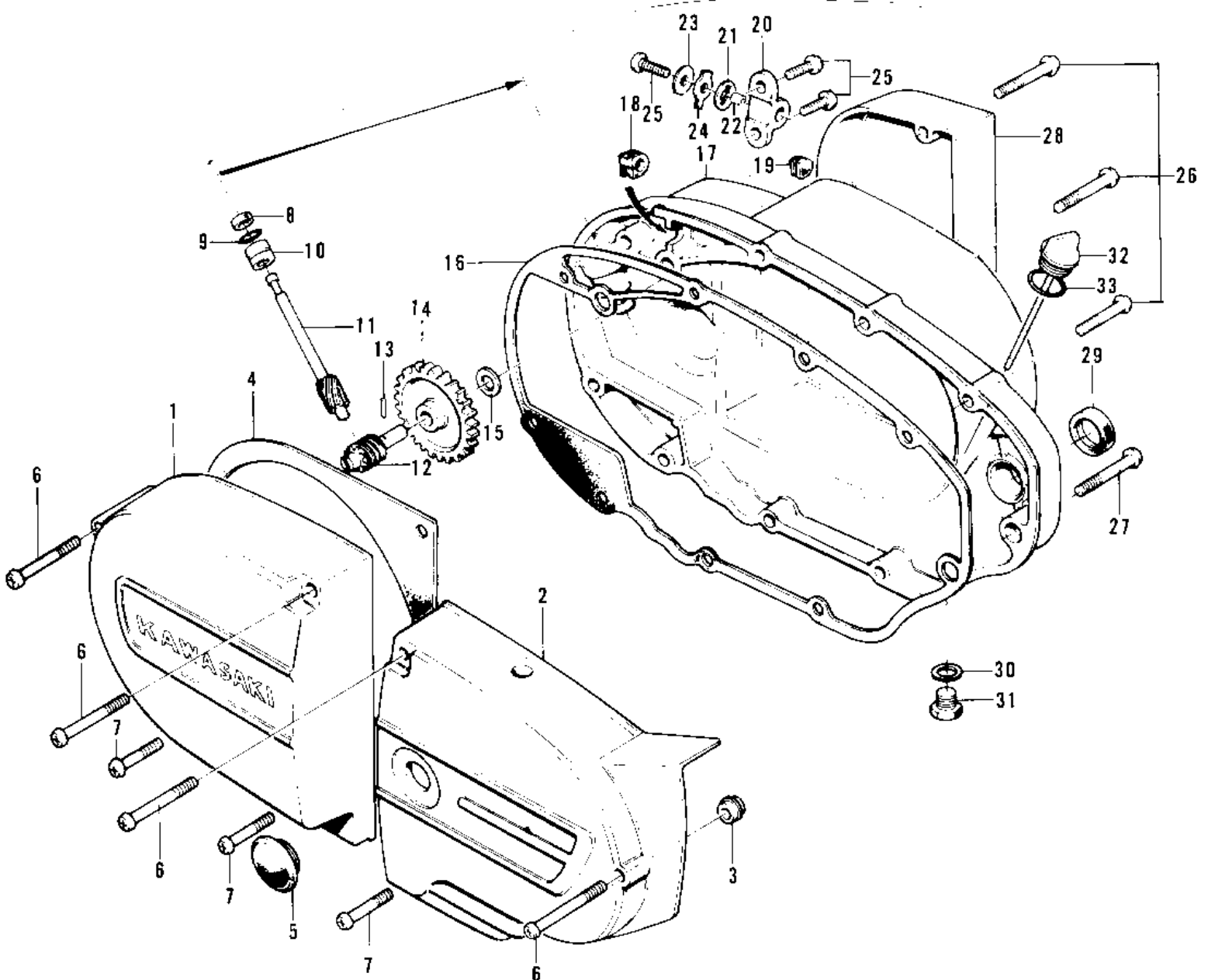


# 1973 F11 PARTS DIAGRAM

ENGINE COVERS (73-75 F11/F11-A/F11-B)



# 1973 F11 PARTS LIST

## ENGINE COVERS ('73-'75 F11/F11-A/F11-B)

ITEM NAME	PART NUMBER	QUANTITY
COVER-L.H ENG,BLACK (Ref # 1)	14031-048-21	1
COVER,L.H ENGINE,BAR (Ref # 1)	14031-048-2H	1
COVER-CHAIN CASE,BLK (Ref # 2)	14026-027-21	1
COVER,CHAIN CASE,BAR (Ref # 2)	14026-027-2H	1
TENSIONER-CHAIN (Ref # 3)	13123-005	1
GASKET-L.H ENGINE CO (Ref # 4)	14045-013	1
CAP-CLUTCH HOLE (Ref # 5)	14040-003	1
SCREW PAN HEAD 6X60 (Ref # 6)	220B0660	4
SCREW PAN HEAD 6X25 (Ref # 7)	220B0625	3
OIL SEAL (Ref # 8)	92054-004	1
"0" RING (Ref # 9)	92055-025	1
BUSH-TACHOMETER GEAR (Ref # 10)	92028-095	1
GEAR-TACHOMETER (Ref # 11)	13223-005	1
PINION-TACHOMETER (Ref # 12)	13224-009	1
PIN,DOWEL (Ref # 13)	92042-035	1
GEAR-OIL PUMP (Ref # 14)	16085-018	1
WASHER THRUST (Ref # 15)	92026-025	1
GASKET-R.H ENGINE CO (Ref # 16)	14046-022	1
COVER-R.H ENG,BLACK (Ref # 17)	14032-070-21	1
COVER,R.H ENGINE,BAR (Ref # 17)	14032-103-2H	1
GROMMET WIRING HARN (Ref # 18)	21017-002	1
GROMMET (Ref # 19)	92071-063	1
HOLDER-OIL PUMP WIRE (Ref # 20)	14044-007	1
HOLDER-OIL PUMP WIRE (Ref # 21)	14044-008	1
COLLAR (Ref # 22)	92027-164	1
WASHER-LOCK (Ref # 23)	92024-045	1
WASHER 6.5X20X1.6T (Ref # 24)	92022-125	1
SCREW PAN HEAD 6X16 (Ref # 25)	220B0616	3
SCREW PAN HEAD 6X35 (Ref # 26)	220B0635	10

## 1973 F11 PARTS LIST

### ENGINE COVERS ('73-'75 F11/F11-A/F11-B)

ITEM NAME	PART NUMBER	QUANTITY
SCREW PAN HEAD 6X45 (Ref # 27)	220B0645	1
COVER-OIL PUMP,BLACK (Ref # 28)	14030-035-21	1
COVER,OIL PUMP,BARRE (Ref # 28)	14030-035-2H	1
OIL SEAL SB20285 (Ref # 29)	92049-012	1
GASKET CHECK VALVE (Ref # 30)	92065-058	1
PLUG OIL DRAIN (Ref # 31)	92067-001	1
PLUG-OIL FILLER (Ref # 32)	16115-014	1
PLUG-OIL FILLER (Ref # 32)	16115-017	1
"O" RING,20MM (Ref # 33)	670B2020	1