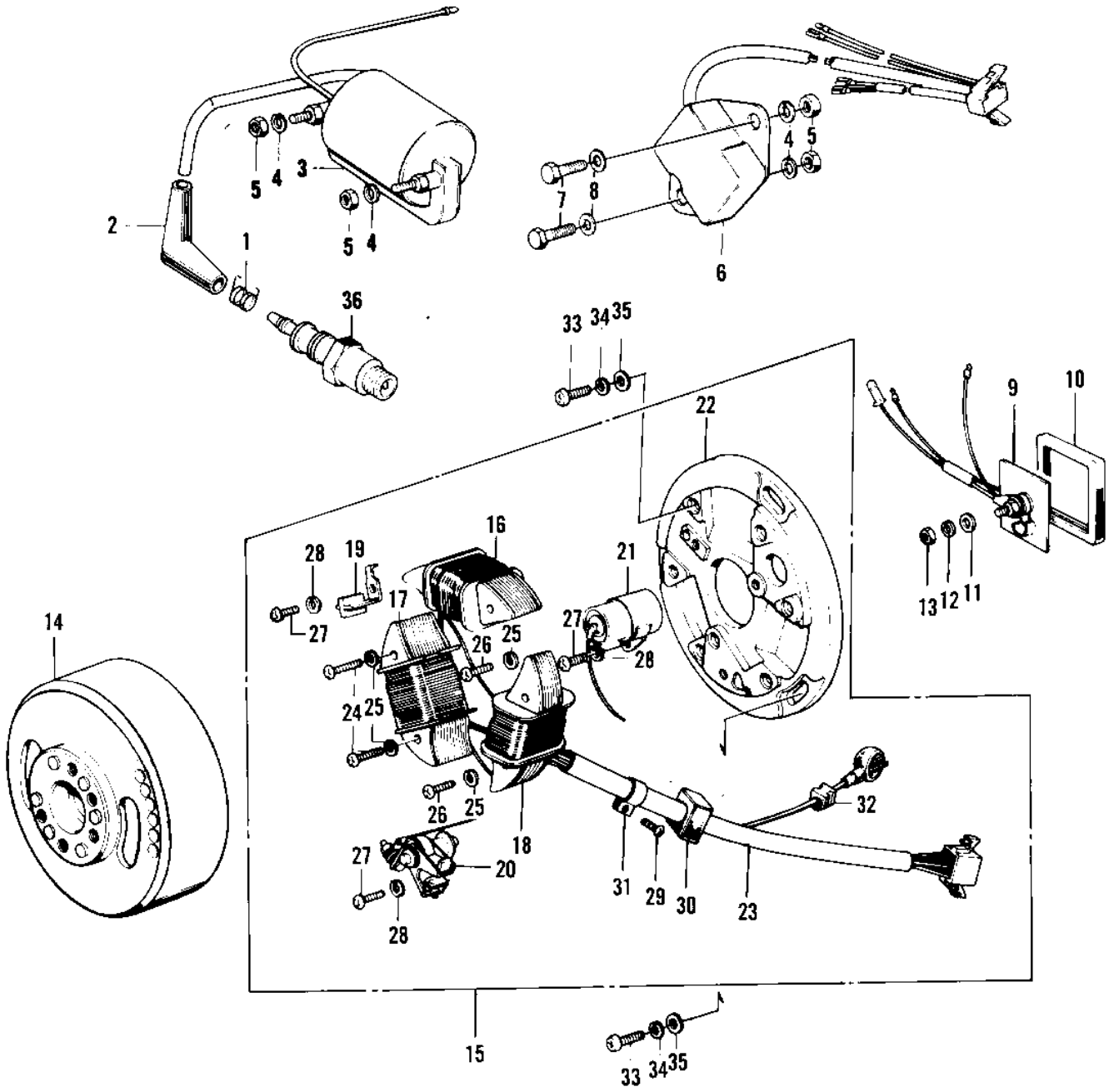


# 1973 F11 PARTS DIAGRAM

GENERATOR/RECTIFIER



# 1973 F11 PARTS LIST

## GENERATOR/RECTIFIER

ITEM NAME	PART NUMBER	QUANTITY
SPRING-SPARK PLUG CA (Ref # 1)	92101-001	1
CAP SPARK PLUG (Ref # 2)	21130-009	1
COIL-IGNITION (Ref # 3)	21121-042	1
WASHER SPRING 6MM (Ref # 4)	461F0600	4
NUT 6MM (Ref # 5)	311B0600	4
REGULATOR (Ref # 6)	21066-016	1
BOLT-UPSET,6X12 (Ref # 7)	112G0612	2
WASHER PLAIN 6MM (Ref # 8)	411B0600	2
RECTIFIER (Ref # 9)	21061-013	1
MAT-RECTIFIER (Ref # 10)	32103-020	1
WASHER PLAIN 5MM (Ref # 11)	410B0500	1
WASHER SPRING 5MM (Ref # 12)	461F0500	1
NUT,5MM (Ref # 13)	311B0500	1
FLYWHEEL (Ref # 14)	21050-013	1
STATOR ASSY (Ref # 15)	21003-017	1
.COIL-LIGHTING,A (Ref # 16)	21047-017	1
.COIL-LIGHTING B (Ref # 17)	21047-018	1
.COIL-PRIMARY (Ref # 18)	21049-015	1
.FELT OIL (Ref # 19)	21019-005	1
.BREAKER-CONTACT (Ref # 20)	21008-020	1
.~E/NO. 4999CONDENSER (Ref # 21)	21013-030	1
CONDENSER (Ref # 21)	21013-030	1
.BASE-MAGNETO (Ref # 22)	21048-009	1
.WIRING HARNESS-MAIN (Ref # 23)	21029-023	1
.SCREW PAN HEAD 5X30 (Ref # 24)	220B0530	4
.WASHER SPRING 5MM (Ref # 25)	461F0500	6
.SCREW-PAN-CROS,5X25 (Ref # 26)	220B0525	2
.SCREW PAN HEAD 4X10 (Ref # 27)	220B0410	3
.WASHER SPRING 4MM (Ref # 28)	461F0400	3

# 1973 F11 PARTS LIST

## GENERATOR/RECTIFIER

ITEM NAME	PART NUMBER	QUANTITY
.SCREW PAN HEAD 4X6 (Ref # 29)	220B0406	1
.GROMMET-WIRING HARN (Ref # 30)	92071-050	1
.CLAMP WIRING HARNESS (Ref # 31)	21037-002	1
.GROMMET WIRING HARN (Ref # 32)	21017-005	1
SCREW PAN HEAD 5X20 (Ref # 33)	220B0520	3
WASHER SPRING 5MM (Ref # 34)	461F0500	3
WASHER PLAIN 5MM (Ref # 35)	410B0500	3
SPARK PLUG B9HS (Ref # 36)	B9HS	1
SPARK PLUG B9HS (Ref # 36)	B9HS	1
SPARK PLUG B9HS (Ref # 36)	B9HS	AL