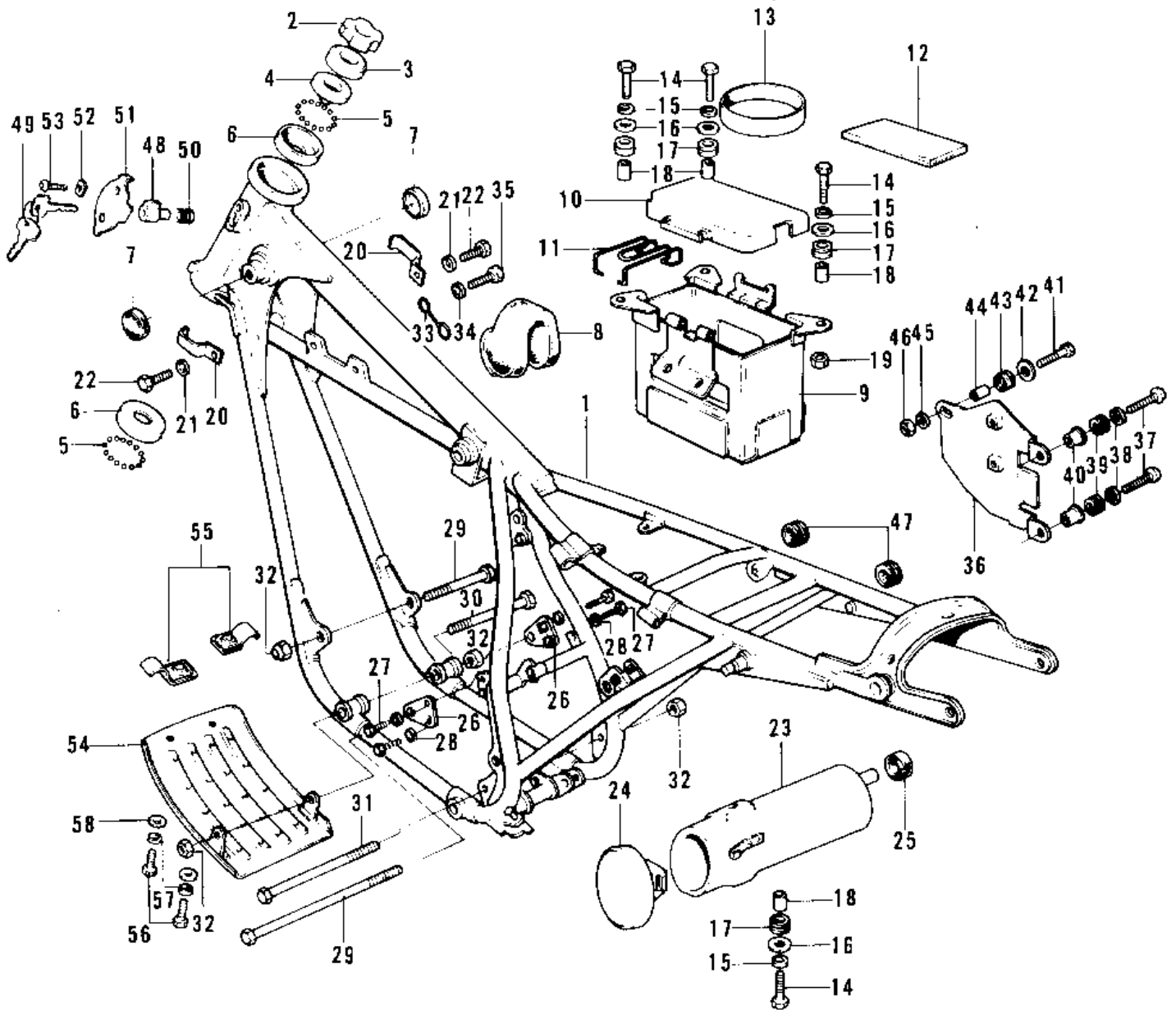


1974 F11-A PARTS DIAGRAM

FRAME/FRAME FITTINGS/BATTERY CASE/TOOL C



1974 F11-A PARTS LIST

FRAME/FRAME FITTINGS/BATTERY CASE/TOOL C

ITEM NAME	PART NUMBER	QUANTITY
FRAME (Ref # 1)	32002-051	
FRAME (Ref # 1)	32002-076	
NUT STEERING STEM LC (Ref # 2)	92090-006	
CAP-STEERING STEM (Ref # 3)	46098-011	
CONE STERNG BERG UPP (Ref # 4)	92047-003	
BALL STEEL 1/4' (Ref # 5)	600A0800	
RACE STEERING BEARIN (Ref # 6)	92048-005	
DAMPER RUBBER-FL TAN (Ref # 7)	92075-101	
DAMPER RUBBER (Ref # 8)	92075-102	
CASE-BATTERY (Ref # 9)	32097-020	
COVER-BATTERY (Ref # 10)	32130-001	
FASTENER-BATTERY CAS (Ref # 11)	92079-003	
MAT-BATTERY (Ref # 12)	32103-022	
MAT-BATTERY SIDE (Ref # 13)	32103-023	
BOLT 6X22 (Ref # 14)	112B0622	
BOLT 6X22 (Ref # 14)	112B0622	
WASHER SPRING 6MM (Ref # 15)	461F0600	
WASHER 6.5X20X1.6T (Ref # 16)	92022-125	
DAMPER RUBBER (Ref # 17)	92075-076	
COLLAR,6.8X10X8.5 (Ref # 18)	92027-129	
NUT 6MM (Ref # 19)	311B0600	
CLAMP-WIRE HARNESS (Ref # 20)	92037-086	
WASHER SPRING 6MM (Ref # 21)	461F0600	
BOLT-UPSET 6X14 (Ref # 22)	112B0614	
BOLT-UPSET 6X14 (Ref # 22)	112B0614	
CASE-TOOL (Ref # 23)	32098-017	
COVER-TOOL CASE,BLAC (Ref # 24)	32104-004-21	
DAMPER RUBBER (Ref # 25)	92075-107	
PLATE-ENGINE MOUNT (Ref # 26)	32030-024	

1974 F11-A PARTS LIST

FRAME/FRAME FITTINGS/BATTERY CASE/TOOL C

ITEM NAME	PART NUMBER	QUANTITY
BOLT,8X20 (Ref # 27)	115G0820	
WASHER SPRING 8MM (Ref # 28)	461F0800	
BOLT-HEX HEAD,10X136 (Ref # 29)	113B10136	
BOLT-HEX HEAD,10X223 (Ref # 30)	113B10223	
BOLT,HEX HEAD,10X117 (Ref # 31)	92001-1246	
NUT,10MM (Ref # 32)	92015-1429	
CLAMP (Ref # 33)	92037-053	
WASHER PLAIN 6MM (Ref # 34)	411B0600	
BOLT-UPSET,6X12 (Ref # 35)	112G0612	
BOLT-UPSET,6X12 (Ref # 35)	112G0612	
BRACKET-TERMINAL (Ref # 36)	26017-001	
SCREW-PAN-CROS (Ref # 37)	220B0514	
WASHER SPRING 5MM (Ref # 38)	461F0500	
DAMPER RUBBER (Ref # 39)	92075-147	
COLLAR (Ref # 40)	92027-166	
SCREW PAN HEAD 6X22 (Ref # 41)	220B0622	
WASHER 6.5X22X1.6T (Ref # 42)	92022-237	
DAMPER RUBBER (Ref # 43)	92075-149	
COLLAR (Ref # 44)	92027-165	
WASHER SPRING 6MM (Ref # 45)	461F0600	
NUT 6MM (Ref # 46)	311B0600	
GROMMET (Ref # 47)	92071-056	
LOCK ASSY-STEERING (Ref # 48,49)	27016-028	
LOCK ASSY,STEERING (Ref # 48,49)	27016-042	
KEY SET-STRNG,#265 (Ref # 49)	27018-014-65	
KEY SET-STRNG,#266 (Ref # 49)	27018-014-66	
KEY SET-STRNG,#266 (Ref # 49)	27018-014-66	
KEY SET-STRNG,#267 (Ref # 49)	27018-014-67	
KEY SET-STRNG,#268 (Ref # 49)	27018-014-68	

1974 F11-A PARTS LIST

FRAME/FRAME FITTINGS/BATTERY CASE/TOOL C

ITEM NAME	PART NUMBER	QUANTITY
KEY SET-STRNG,#269 (Ref # 49)	27018-014-69	
KEY SET,#421 (Ref # 49)	27008-063-21	
KEY SET,#422 (Ref # 49)	27008-063-22	
KEY SET,#423 (Ref # 49)	27008-063-23	
KEY SET,#424 (Ref # 49)	27008-063-24	
KEY SET,#425 (Ref # 49)	27008-063-25	
KEY SET,#426 (Ref # 49)	27008-063-26	
KEY SET,#427 (Ref # 49)	27008-063-27	
KEY SET,#428 (Ref # 49)	27008-063-28	
KEY SET,#429 (Ref # 49)	27008-063-29	
KEY SET,#430 (Ref # 49)	27008-063-30	
SPRING-STEERING LOCK (Ref # 50)	27032-001	
CAP,STEERING LOCK (Ref # 51)	11012-1134	
WASHER (Ref # 52)	92097-003	
SCREW-TAPPING (Ref # 53)	92008-007	
GUARD-ENGINE (Ref # 54)	55011-015	
BRACKET-ENGINE GUARD (Ref # 55)	55016-006	
BOLT,8X20 (Ref # 56)	115G0820	
BOLT,8X20 (Ref # 56)	115G0820	
WASHER SPRING 8MM (Ref # 57)	461F0800	
WASHER PLAIN 8MM (Ref # 58)	411B0800	