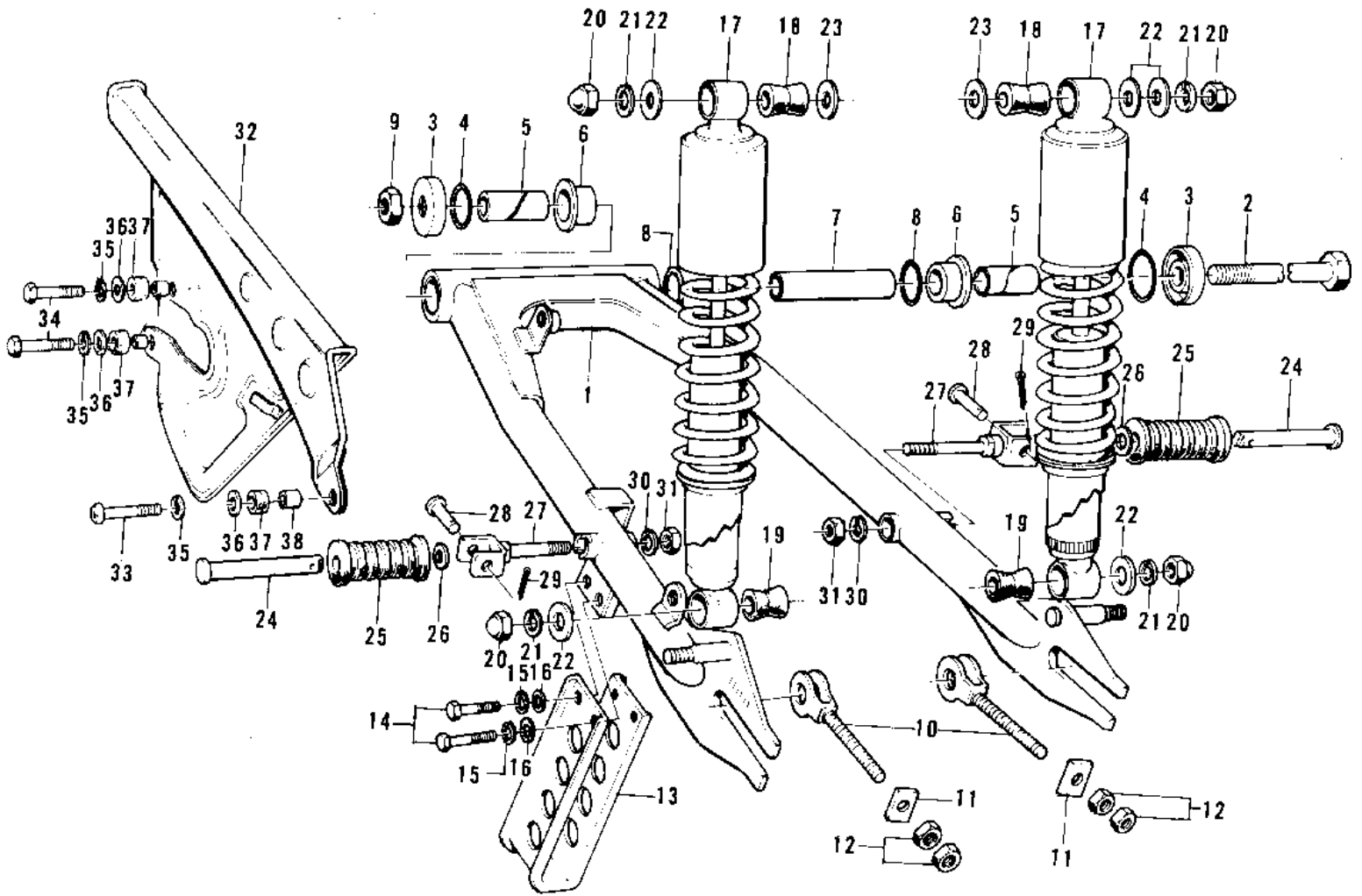


1974 F11-A PARTS DIAGRAM

SWING ARM/SHOCK ABSORBERS ('73-75 F11/F)



1974 F11-A PARTS LIST

SWING ARM/SHOCK ABSORBERS ('73-75 F11/F)

ITEM NAME	PART NUMBER	QUANTITY
ARM-SWING (Ref # 1)	33001-042	
SHAFT-SWING ARM PIVO (Ref # 2)	33032-035	
CAP-SWINGING ARM (Ref # 3)	33035-005	
"0" RING,30MM (Ref # 4)	671B2530	
SLEEVE-SWINGING ARM (Ref # 5)	33034-016	
BUSHING-SWING ARM (Ref # 6)	33033-009	
SLEEVE-SWING ARM,LON (Ref # 7)	33034-018	
"0" RING,16MM (Ref # 8)	670B2016	
NUT-LOCK,12MM (Ref # 9)	92019-009	
ADJUSTER-CHAIN (Ref # 10)	33040-050	
PLATE-CHAIN ADJUSTER (Ref # 11)	33041-002	
NUT 8MM (Ref # 12)	312B0800	
GUARD-CHAIN (Ref # 13)	55020-008	
BOLT,HEX HEAD,6X50 (Ref # 14)	110G0650	
WASHER SPRING 6MM (Ref # 15)	461F0600	
WASHER PLAIN 6MM (Ref # 16)	410B0600	
SHOCK ABSBR RR CR (Ref # 17~19)	45014-067-79	
BUSH A-SHCK ABS RUBE (Ref # 18)	45017-010	
BUSH B-SHCK ABS RUBE (Ref # 19)	45017-009	
NUT SHOCK ABSORBER (Ref # 20)	92020-003	
WASHER SPRING 10MM (Ref # 21)	461F1000	
WASHER-PL-10.5X26X2. (Ref # 22)	92022-044	
WASHER PLAIN 12MM (Ref # 23)	410B1200	
BAR-RR FOOTREST (OPT (Ref # 24)	34028-009	
BAR-RR FOOTREST (OPT (Ref # 25)	34028-009	
WASHER-PLAIN (OPT) (Ref # 26)	92022-199	
BKT-RR FOOTREST BAR (Ref # 27)	34029-007	
PIN (Ref # 28)	92043-1464	
PIN COTTER 2.0X15 (Ref # 29)	550D2015	

1974 F11-A PARTS LIST

SWING ARM/SHOCK ABSORBERS ('73-'75 F11/F)

ITEM NAME	PART NUMBER	QUANTITY
WASHER SPRING 12MM (Ref # 30)	461F1200	
NUT-HEX-FINE,12MM (Ref # 31)	315B1200	
CASE-CHAIN,BLACK (Ref # 32)	36014-044-21	
SCREW PAN HEAD 6X16 (Ref # 33)	220B0616	
BOLT-UPSET,6X16 (Ref # 34)	112G0616	
WASHER SPRING 6MM (Ref # 35)	461F0600	
WASHER 6.5X20X1.6T (Ref # 36)	92022-125	
DAMPER RUBBER (Ref # 37)	92075-051	
COLLAR (Ref # 38)	92027-103	