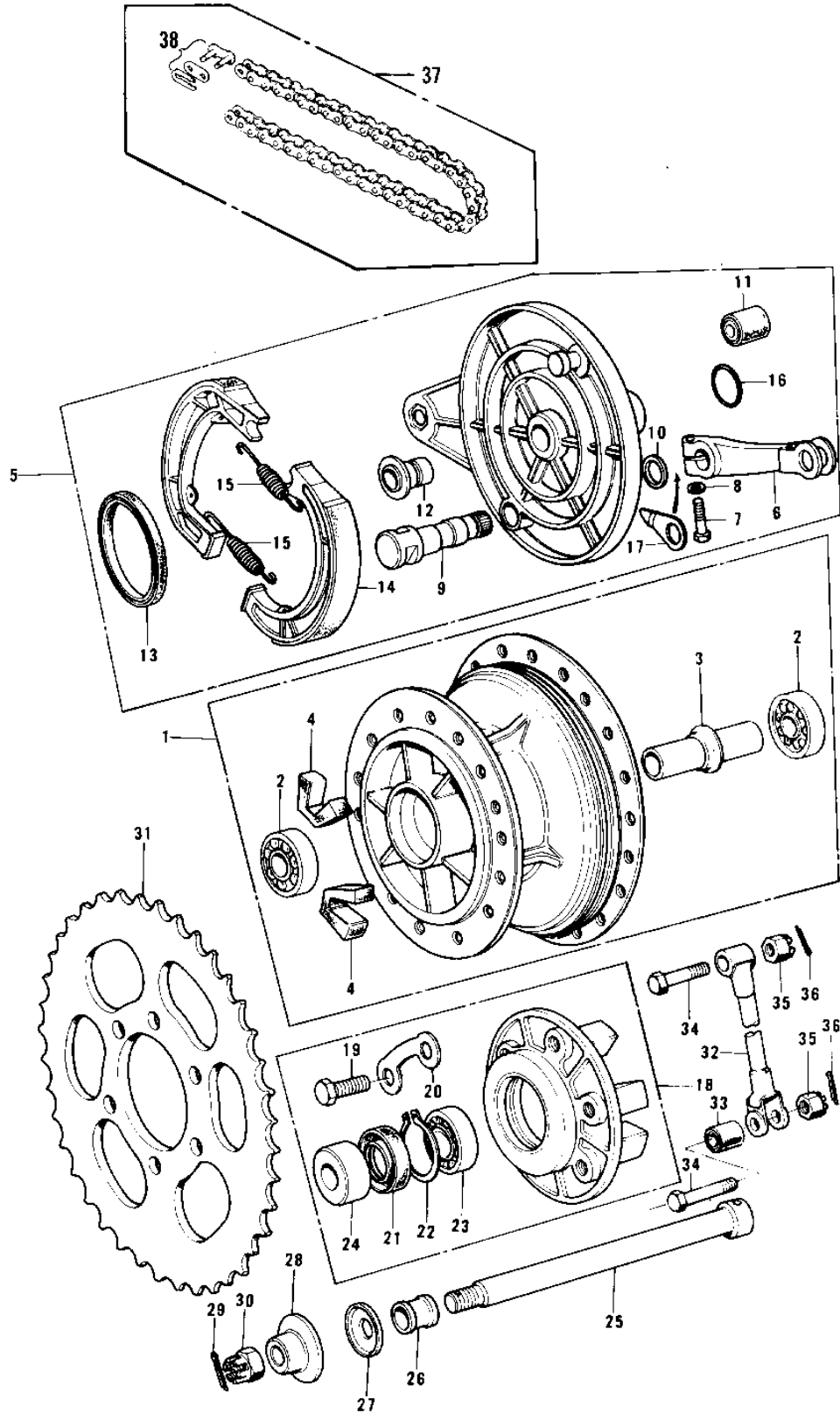


# 1973 F11 PARTS DIAGRAM

REAR HUB/BRAKE/CHAIN (F11-A/F11-B)



# 1973 F11 PARTS LIST

## REAR HUB/BRAKE/CHAIN (F11-A/F11-B)

ITEM NAME	PART NUMBER	QUANTITY
DRUM ASSY,RR BRK,BUF (Ref # 1)	42005-037-80	1
.BEARING BALL #6203 (Ref # 2)	601B6203	2
.SPACER,RR BRAKE DRUM (Ref # 3)	42010-025	1
.DAMPER-REAR HUB SHOC (Ref # 4)	42014-020	6
PANEL-ASY,RR BRK,BUF (Ref # 5)	42006-040-80	1
.LEVER-BRAKE CAM (Ref # 6)	42029-018	1
.BOLT-UPSET (Ref # 7)	112G0625	1
.WASHER PLAIN 6MM (Ref # 8)	410B0600	1
.CAMSHAFT,REAR BRAKE (Ref # 9)	42026-022	1
.DUST SHIELD BRAKE CA (Ref # 10)	41051-001	1
.BUSH-RR BRK PEDAL RU (Ref # 11)	92092-008	1
.COLLAR-REAR HUB (Ref # 12)	42032-032	1
.OIL SEAL,#50656 (Ref # 13)	657G506506	1
.SHOE,BRAKE (Ref # 14)	42019-011	2
SHOE,BRAKE (Ref # 14)	42019-011	2
.SPRING-BRAKE SHOE (Ref # 15)	42020-004	2
."0" RING,34MM (Ref # 16)	670B3034	1
.INDICATOR,FRONT BRAK (Ref # 17)	41085-010	1
COUPLING ASSY,RR BRK (Ref # 18)	42008-016	1
.BOLT-REAR SPROCKET (Ref # 19)	92001-109	6
.WASHER LOCK (Ref # 20)	92088-007	3
.OIL SEAL,#32478 (Ref # 21)	92050-061	1
.CIRCLIP,47M/M (Ref # 22)	92033-1042	1
CIRCLIP,47M/M (Ref # 22)	92033-1042	1
.BEARING BALL #6005 (Ref # 23)	601B6005	1
.SLEEVE,COUPLING (Ref # 24)	42036-016	1
AXLE-REAR (Ref # 25)	42031-031	1
COLLAR-REAR AXLE,R.H (Ref # 26)	42032-035	1
DUST-SHIELD-CAM SHAF (Ref # 27)	41042-010	1

## 1973 F11 PARTS LIST

### REAR HUB/BRAKE/CHAIN (F11-A/F11-B)

ITEM NAME	PART NUMBER	QUANTITY
COLLAR,REAR AXLE,L.H (Ref # 28)	42032-045	1
PIN-COTTER,4.0X35 (Ref # 29)	550D4035	1
NUT CASTLE,16MM (Ref # 30)	92015-055	1
REAR SPROCKET 44T (Ref # 31)	42041-107	1
REAR SPROCKET 42T (Ref # 31)	42041-116	(1
REAR SPROCKET 46T (Ref # 31)	42041-117	(1
TORQUE LINK-REAR BRK (Ref # 32)	43007-030	1
BUSH-RR BRK PEDAL RU (Ref # 33)	92092-008	1
BOLT-HEX HEAD,10X42 (Ref # 34)	92003-085	2
NUT CASTLE 10MM (Ref # 35)	321B1000	2
PIN COTTER 2.5X20 (Ref # 36)	550D2520	2
UNAVAILABLE IN PRICE BOOK (Ref # 37)	92057-013	1
DR CHAIN 525X100 (Ref # 37)	92057-037	1
.CHAIN JOINT 525 (Ref # 38)	92058-006	1