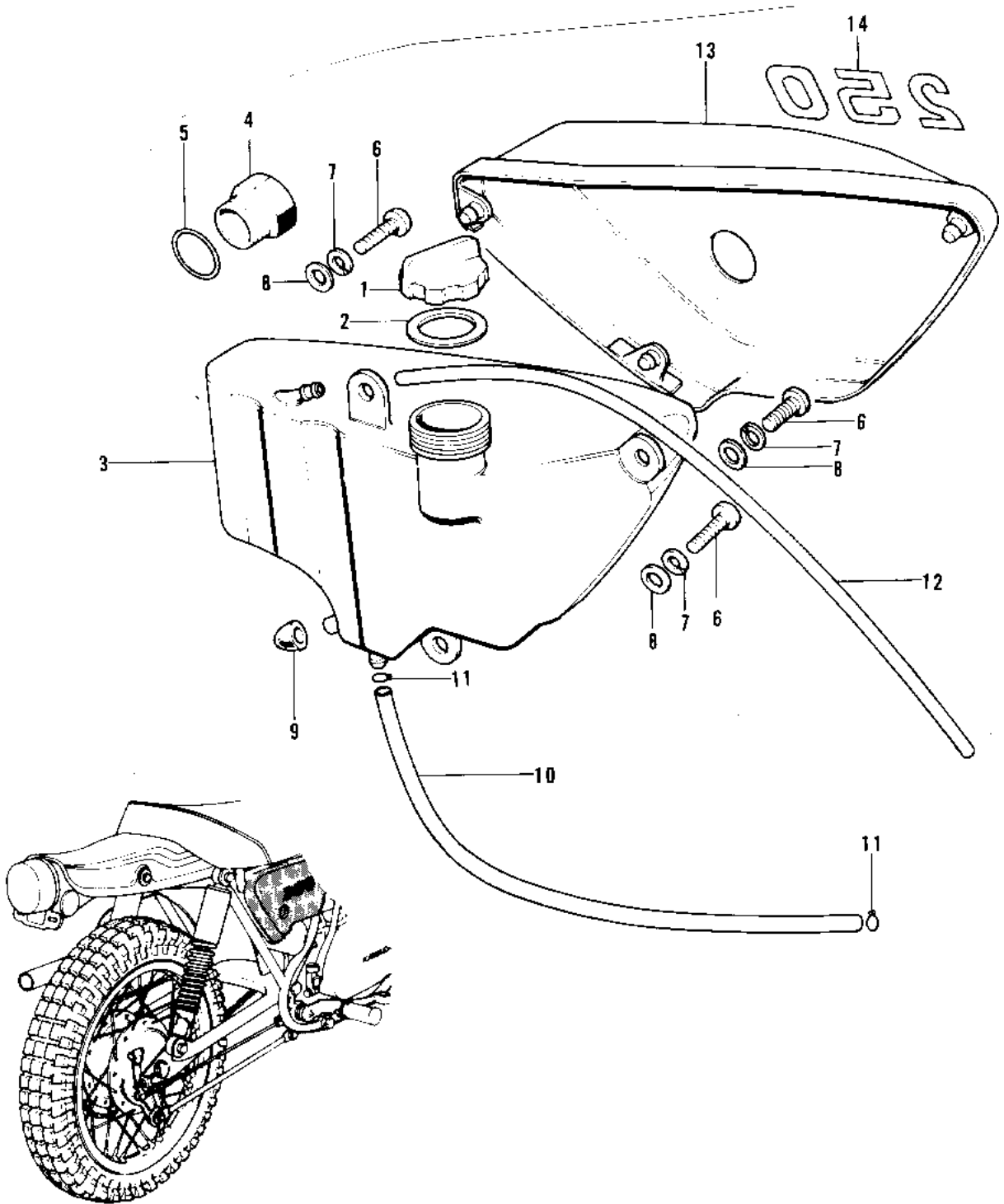


1974 F11-A PARTS DIAGRAM

SIDE COVER/OIL TANK



1974 F11-A PARTS LIST

SIDE COVER/OIL TANK

ITEM NAME	PART NUMBER	QUANTITY
CAP-OIL TANK (Ref # 1)	52003-019	
GASKET-OIL TANK CAP (Ref # 2)	92065-085	
TANK-OIL (Ref # 3)	52001-030	
GUAGE-OIL LEVEL (Ref # 4)	52015-002	
"O" RING,20MM (Ref # 5)	92055-051	
SCREW PAN HEAD 6X18 (Ref # 6)	220B0618	
WASHER SPRING 6MM (Ref # 7)	461F0600	
WASHER 6.5X20X1.6T (Ref # 8)	92022-125	
DAMPER RUBBER-OIL TN (Ref # 9)	92075-150	
PIPE (Ref # 10)	92059-064	
CLAMP FUEL PIPE (Ref # 11)	92037-010	
TUBE-VINYL,5X400 (Ref # 12)	700Q05400	
COVER,RH SIDE,BLACK (Ref # 13)	36007-028-21	
COVER,RH SIDE,C.RED (Ref # 13)	36007-028-92	
EMBLEM-SIDE COVER (Ref # 14)	56018-131	
EMBLEM,R.H SIDE COVE (Ref # 14)	56018-160	
EMBLEM,R.H SIDE COVE (Ref # 14)	56018-186	