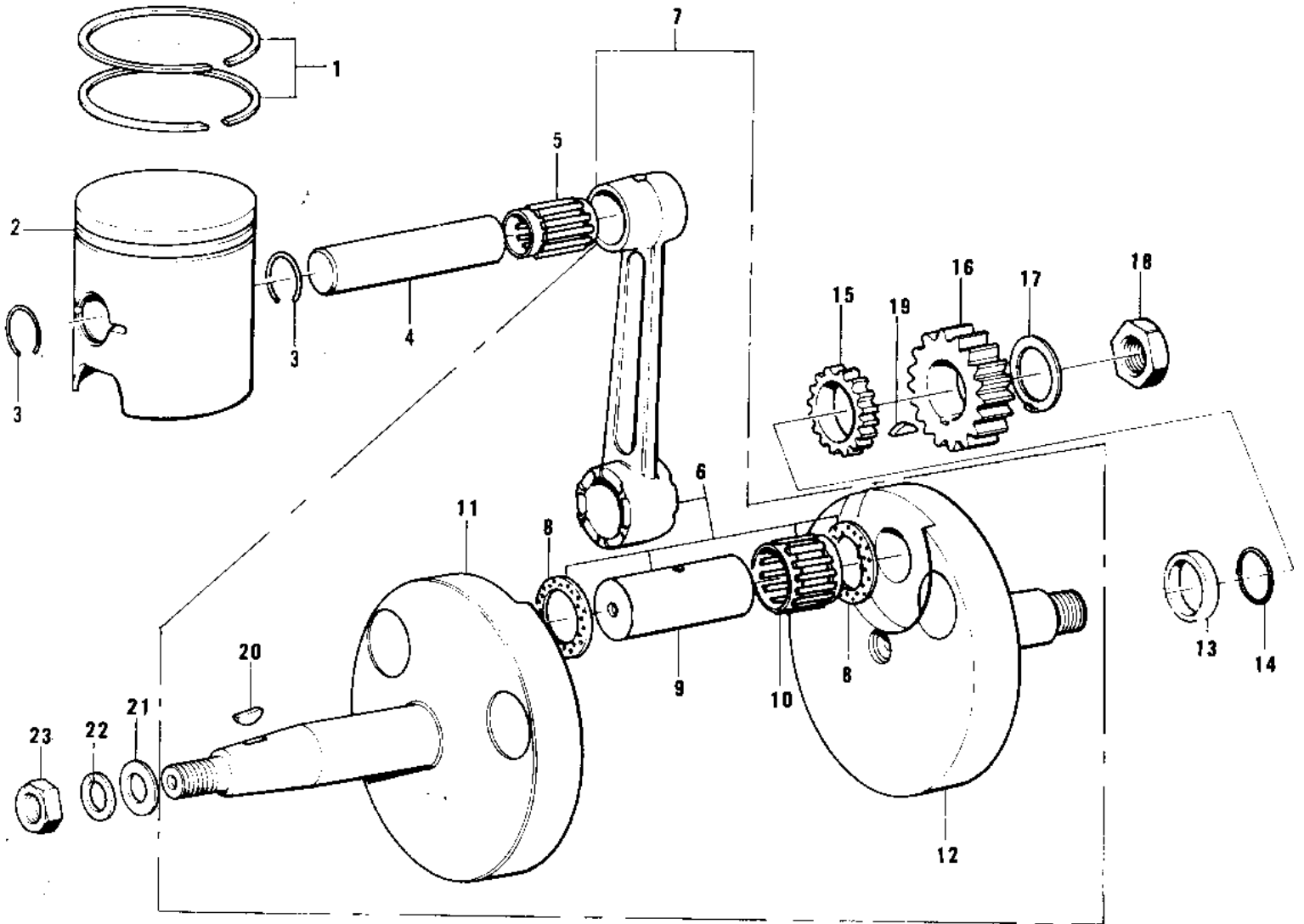


1973 F11M PARTS DIAGRAM

CRANKSHAFT/PISTON ('73 F11M)



1973 F11M PARTS LIST

CRANKSHAFT/PISTON ('73 F11M)

ITEM NAME	PART NUMBER	QUANTITY
RING SET,STD (Ref # 1)	13008-030	
RING SET,0.020" O.S (Ref # 1)	13025-035	
PISTON,STD (Ref # 2)	13001-058	
PISTON,0,020'O/S (Ref # 2)	13029-063	
CIRCLIP-PISTON PIN (Ref # 3)	92036-015	
PIN-PISTON (Ref # 4)	13002-017	
BEARING-SMALL END (Ref # 5)	13033-1010	
CONNECTING ROD SET (Ref # 6)	13044-026	
CRANK SHAFT ASSY (Ref # 7)	13036-040	
SPACER (Ref # 8)	92026-1241	
CRANK PIN (Ref # 9)	13035-031	
BEARING,BIG END NEED (Ref # 10)	13034-049	
CRANKSHAFT,L.H (Ref # 11)	13037-049	
CRANKSHAFT,R.H (Ref # 12)	13038-044	
COLLAR-CRANKSHAFT (Ref # 13)	92027-144	
"0" RING,20MM (Ref # 14)	670B2020	
PINION-OIL PUMP (Ref # 15)	16084-013	
PINION-PRIMARY (Ref # 16)	13121-022	
WASHER,LOCK,18MM (Ref # 17)	92024-067	
NUT 18MM (Ref # 18)	92015-019	
WOODRUFF KEY (Ref # 19)	510A5100	
WOODRUFF KEY (Ref # 20)	92038-001	
WASHER-PLAIN,14MM (Ref # 21)	92022-172	
WASHER SPRING 14MM (Ref # 22)	461F1400	
NUT 14MM (Ref # 23)	92015-043	