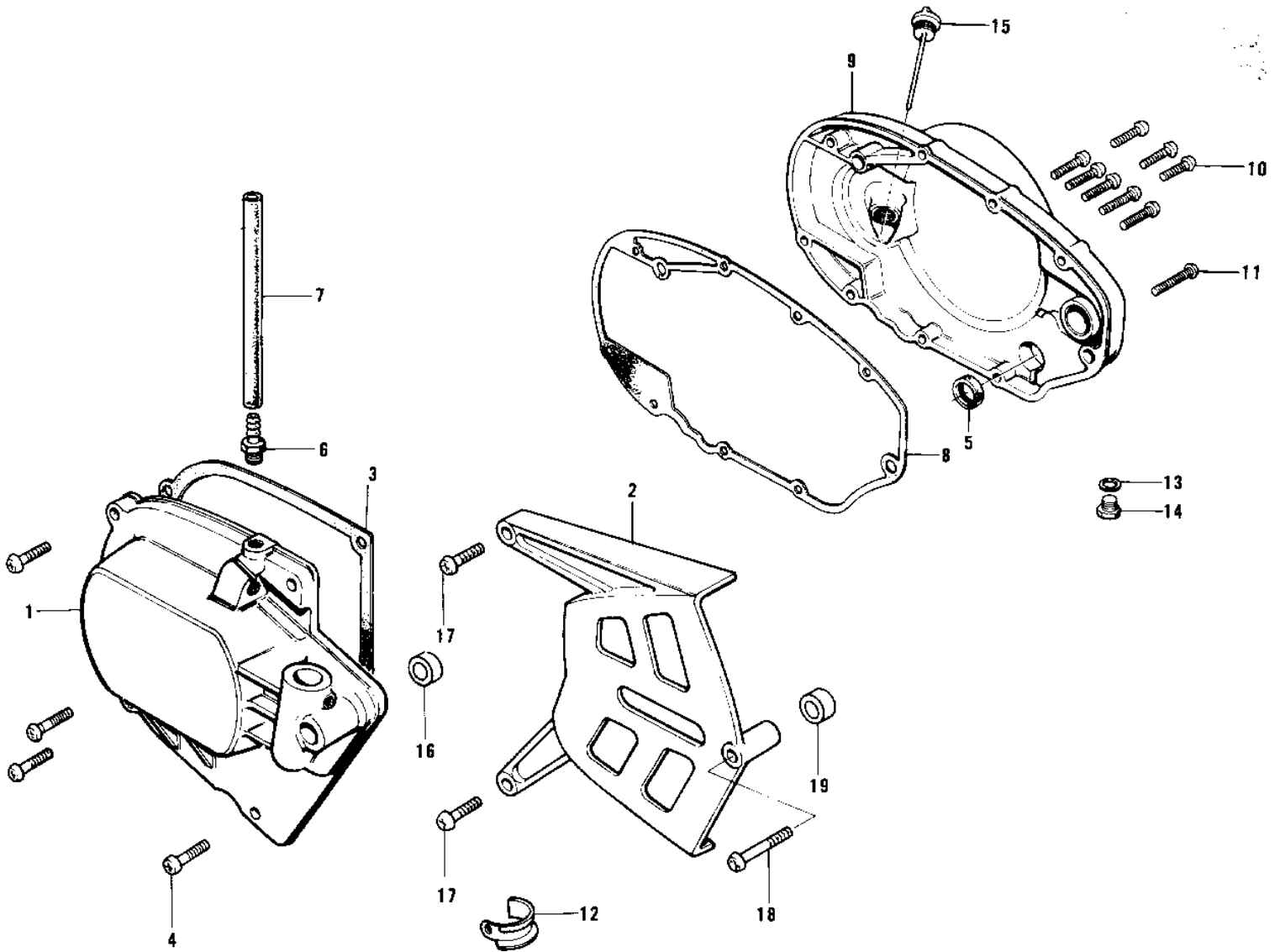


1973 F11M PARTS DIAGRAM

ENGINE COVERS (73 F11M)



1973 F11M PARTS LIST

ENGINE COVERS (73 F11M)

ITEM NAME	PART NUMBER	QUANTITY
COVER,L.H ENGINE,BLK (Ref # 1)	14031-064-21	
COVER,ENGINE SPROCKE (Ref # 2)	14025-003-21	
GASKET-L.H ENGINE CO (Ref # 3)	14045-013	
SCREW PAN HEAD 6X25 (Ref # 4)	220B0625	
OIL SEAL (Ref # 5)	92054-004	
NIPPLE,BREATHER (Ref # 6)	92005-006	
PIPE OIL TANK (Ref # 7)	92059-002	
GASKET-R.H ENGINE CO (Ref # 8)	14046-022	
COVER,R.H ENGINE,BLK (Ref # 9)	14032-086-21	
SCREW PAN HEAD 6X35 (Ref # 10)	220B0635	
SCREW PAN HEAD 6X45 (Ref # 11)	220B0645	
CLIP WIRING HARNESS (Ref # 12)	35024-002	
GASKET CHECK VALVE (Ref # 13)	92065-058	
PLUG OIL DRAIN (Ref # 14)	92067-001	
FILLER,OIL (Ref # 15)	16115-018	
DAMPER RUBBER (Ref # 16)	92075-205	
SCREW PAN HEAD 6X30 (Ref # 17)	220B0630	
SCREW PAN HEAD 6X40 (Ref # 18)	220B0640	
COLLAR (Ref # 19)	92027-103	