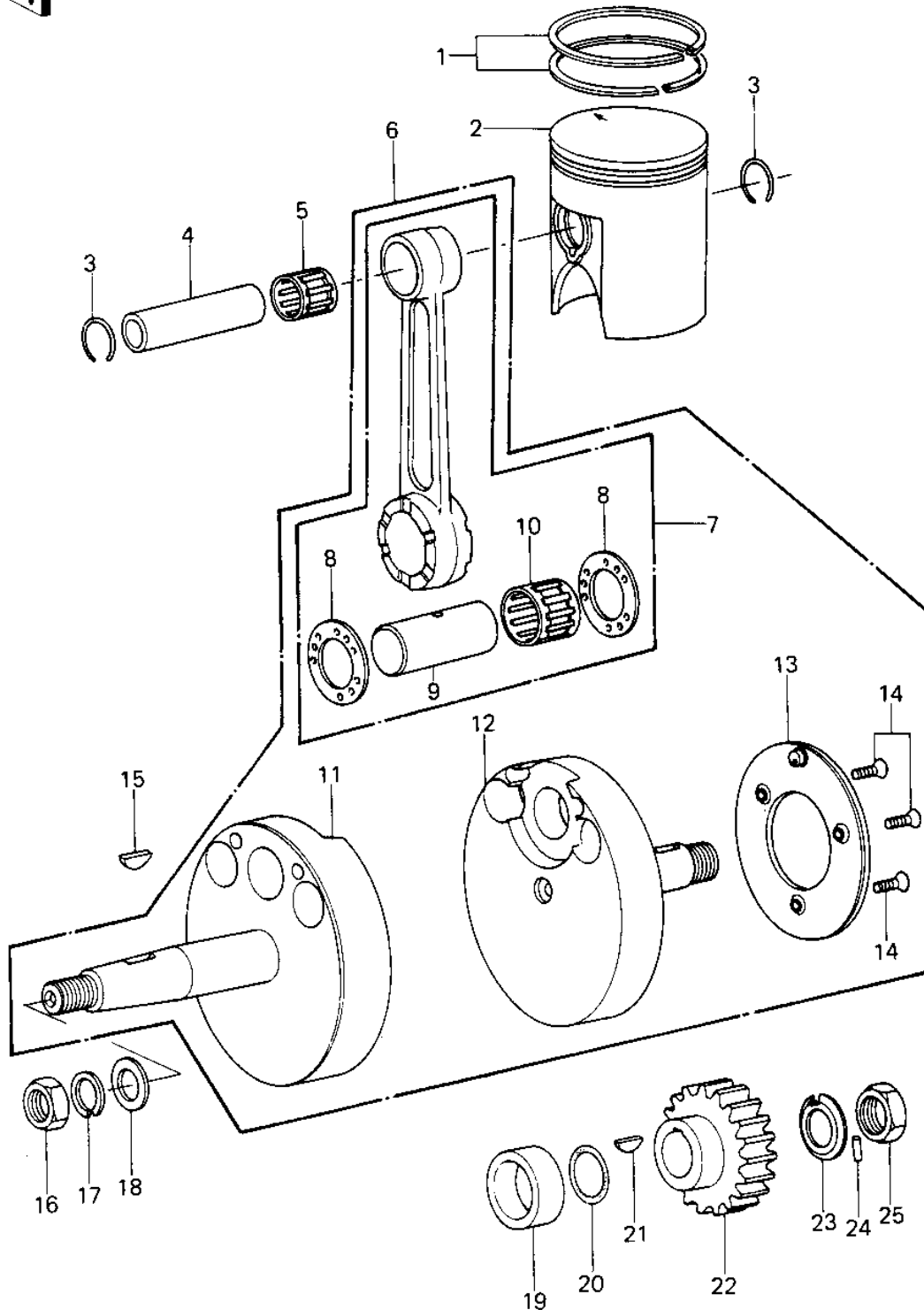


1978 KE250-B2 PARTS DIAGRAM

CRANKSHAFT/PISTON



1978 KE250-B2 PARTS LIST

CRANKSHAFT/PISTON

ITEM NAME	PART NUMBER	QUANTITY
RING SET,PISTON,S.T.D (Ref # 1)	13008-5002	
PISTON (Ref # 2)	13001-1017	
PISTON (Ref # 2)	13001-1017	
CIRCLIP-PISTON PIN (Ref # 3)	92036-015	
PIN-PISTON (Ref # 4)	13002-033	
BRG,N,KBK18X22X21.8X2 (Ref # 5)	13033-037	
CRANK & CONROD ASSY (Ref # 6)	13036-051	
CONNECTING ROD SET (Ref # 7)	13044-5001	
SPACER (Ref # 8)	92026-1241	
CRANK PIN (Ref # 9)	13035-031	
BEARING,BIG END NEEDL (Ref # 10)	13034-049	
CRANKSHAFT,L.H (Ref # 11)	13037-071	
CRANKSHAFT,R.H. (Ref # 12)	13038-059	
OIL RECEIVER,CRANKSFT (Ref # 13)	13045-011	
SCREW OVL CNTSNK 5X10 (Ref # 14)	92012-002	
WOODRUFF KEY (Ref # 15)	92038-001	
NUT 14MM (Ref # 16)	92015-043	
WASHER SPRING 14MM (Ref # 17)	461F1400	
WASHER-PLAIN,14MM (Ref # 18)	92022-172	
COLLAR-CRANKSHAFT (Ref # 19)	92027-144	
"O" RING,20MM (Ref # 20)	670B2020	
WOODRUFF KEY (Ref # 21)	510A5100	
GEAR,PRIMARY 22T (Ref # 22)	13121-029	
WASHER,LOCK,18MM (Ref # 23)	92022-1231	
PIN,DOWEL,2.5X14.8 (Ref # 24)	92042-051	
NUT 18MM (Ref # 25)	92015-019	