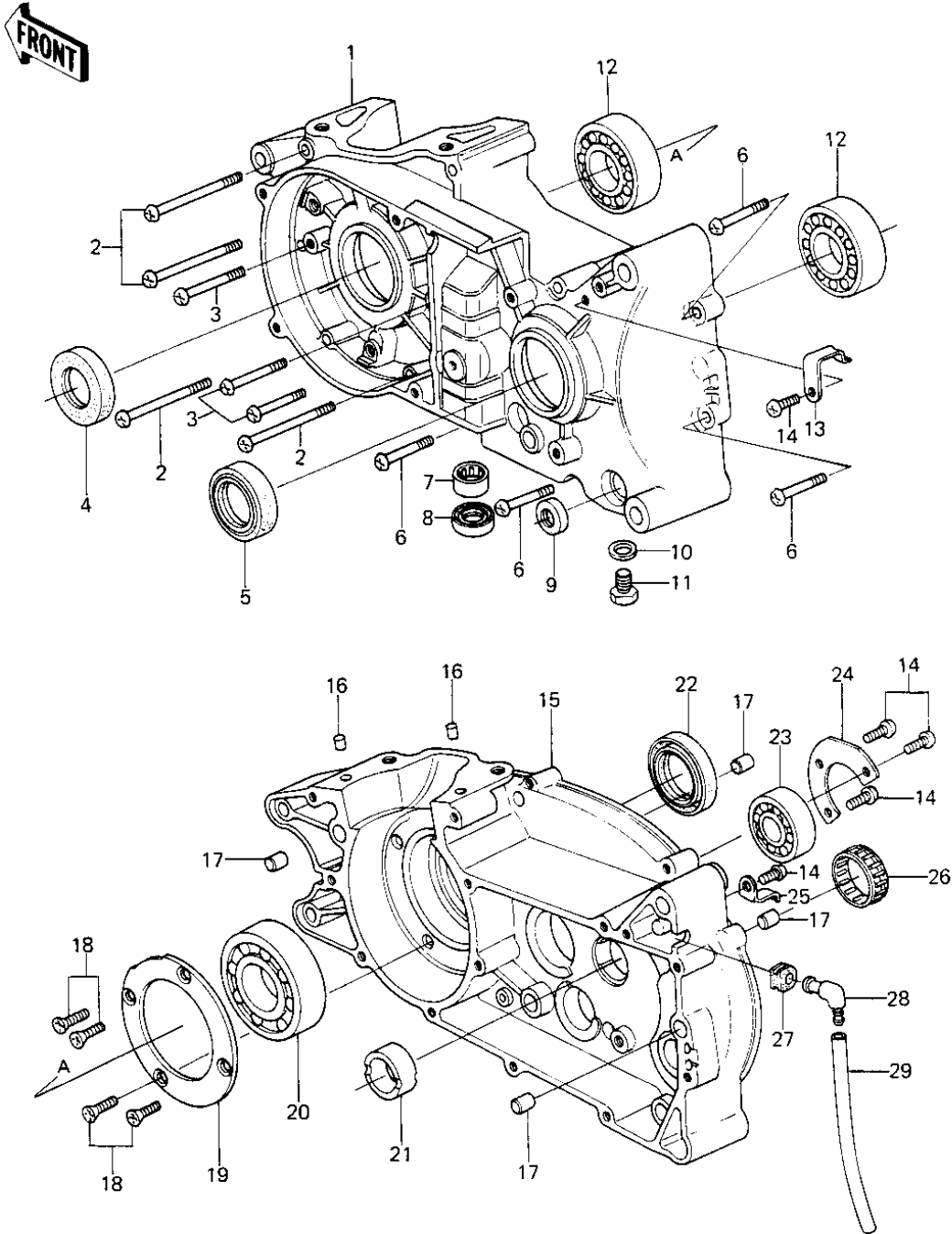


1978 KE250-B2 PARTS DIAGRAM

CRANKCASE



1978 KE250-B2 PARTS LIST

CRANKCASE

ITEM NAME	PART NUMBER	QUANTITY
CRANKCASE,L.H,AL SHOT (Ref # 1)	14002-127-2J	
SCREW PAN HEAD 6X65 (Ref # 2)	220B0665	
SCREW PAN HEAD 6X45 (Ref # 3)	220B0645	
OIL SEAL,TB25457 (Ref # 4)	653B254507	
SEAL-OIL,TC32457 (Ref # 5)	92049-1159	
SCREW PAN HEAD 6X25 (Ref # 6)	220B0625	
NEEDLE BEARING,HK1612 (Ref # 7)	92046-058	
OIL SEAL TB16267 (Ref # 8)	92051-003	
OIL SEAL,TB13225.5 (Ref # 9)	92051-005	
GASKET CHECK VALVE (Ref # 10)	92065-058	
PLUG OIL DRAIN (Ref # 11)	92067-001	
BEARING BALL #6305 (Ref # 12)	601B6305	
CLAMP,OIL PIPE (Ref # 13)	92037-157	
SCREW PAN HEAD 6X14 (Ref # 14)	220B0614	
CRANKCASE,R.H,AL SHOT (Ref # 15)	14003-094-2J	
PIN,DOWEL,6X12 (Ref # 16)	551A0612	
PIN,DOWEL,10X8.2X14 (Ref # 17)	92043-1037	
SCREW CNTSNK HD 6X16 (Ref # 18)	221B0616	
HOLDER-CRANK BEARING (Ref # 19)	14014-019	
BEARING-BALL (Ref # 20)	92045-016	
BUSHING (Ref # 21)	92028-147	
OIL SEAL,TB38508 (Ref # 22)	653B385008	
PLATE,POSITIONING,MSN (Ref # 24)	14014-039	
CLAMP,CARBURETOR (Ref # 25)	92037-1025	
BEARING,NEEDLE,344012 (Ref # 26)	92046-040	
GROMMET (Ref # 27)	92071-042	
BREATHER ASSY (Ref # 28)	14069-1001	
PIPE-BREATHER (Ref # 29)	92059-061	