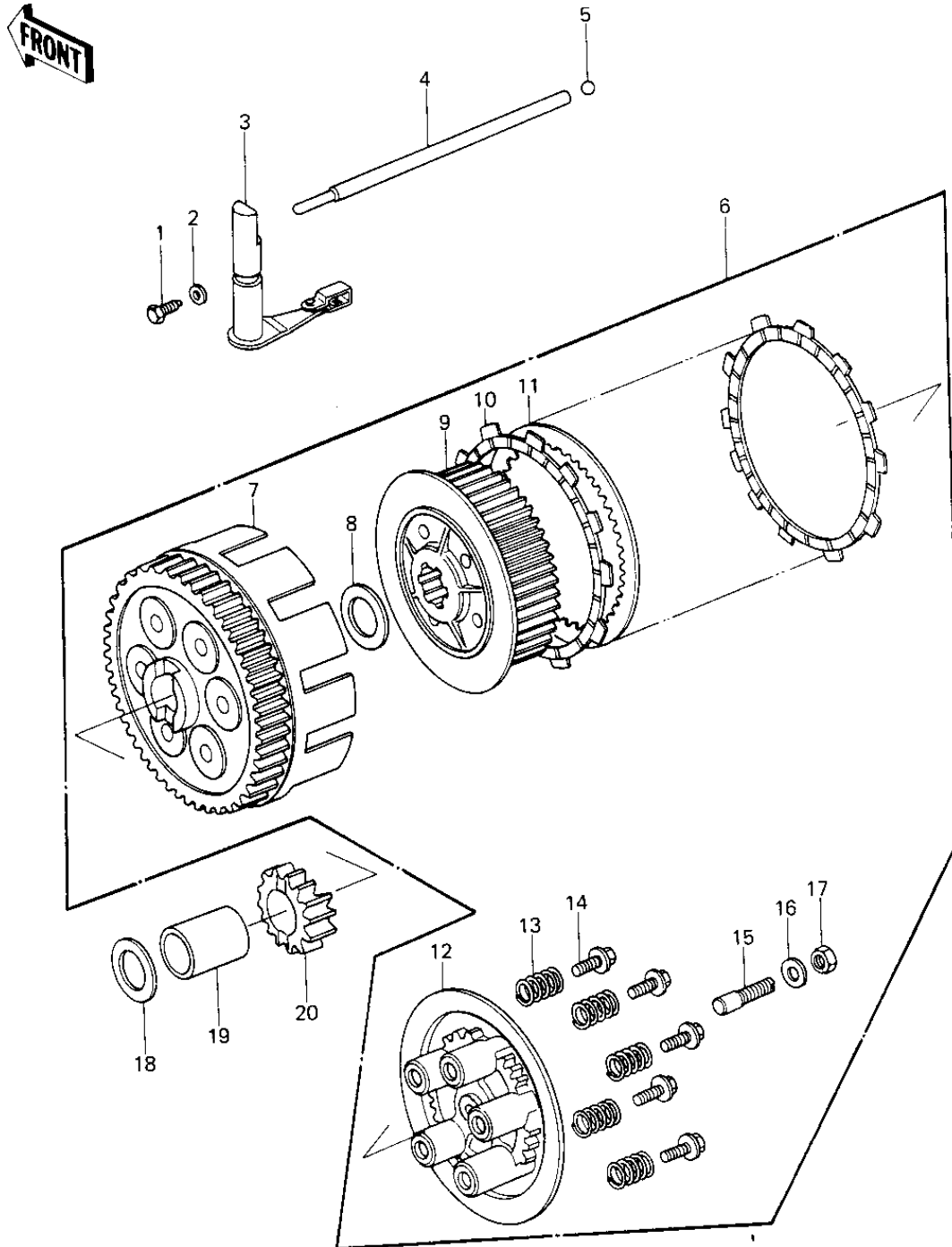


1978 KE250-B2 PARTS DIAGRAM

CLUTCH



1978 KE250-B2 PARTS LIST

CLUTCH

ITEM NAME	PART NUMBER	QUANTITY
BOLT,CLUTCH RELEASE (Ref # 1)	92003-130	
GASKET,R.H ENG COVER (Ref # 2)	92065-092	
LEVER,CLUTCH RELEASE (Ref # 3)	13102-026	
ROD,CLUTCH PUSH (Ref # 4)	13116-034	
BALL-STEEL,11/32" (Ref # 5)	600A1100	
CLUTCH-ASSY (Ref # 6)	13081-086	
HOUSING,CLUTCH (Ref # 7)	13095-055	
WASHER,CLUTCH THRUST (Ref # 8)	92022-282	
HUB,CLUTCH (Ref # 9)	13087-044	
PLATE,CLUTCH FRICTION (Ref # 10)	13088-041	
PLATE,CLUTCH,STEEL (Ref # 11)	13089-1005	
PLATE-CLUTCH OPERATIN (Ref # 12)	13187-1009	
SPRING,CLUTCH (Ref # 13)	92081-155	
BOLT,CLUTCH SPR FITT (Ref # 14)	92001-1066	
SCREW,SLOTTED,8X35 (Ref # 15)	92014-017	
WASHER,PLAIN,8M/M (Ref # 16)	92022-063	
NUT 8MM (Ref # 17)	318B0800	
WASHER,CLUTCH (Ref # 18)	92022-031	
BUSHING,CLUTCH (Ref # 19)	92028-150	
PINION,KICK GEAR 16T (Ref # 20)	13075-011	