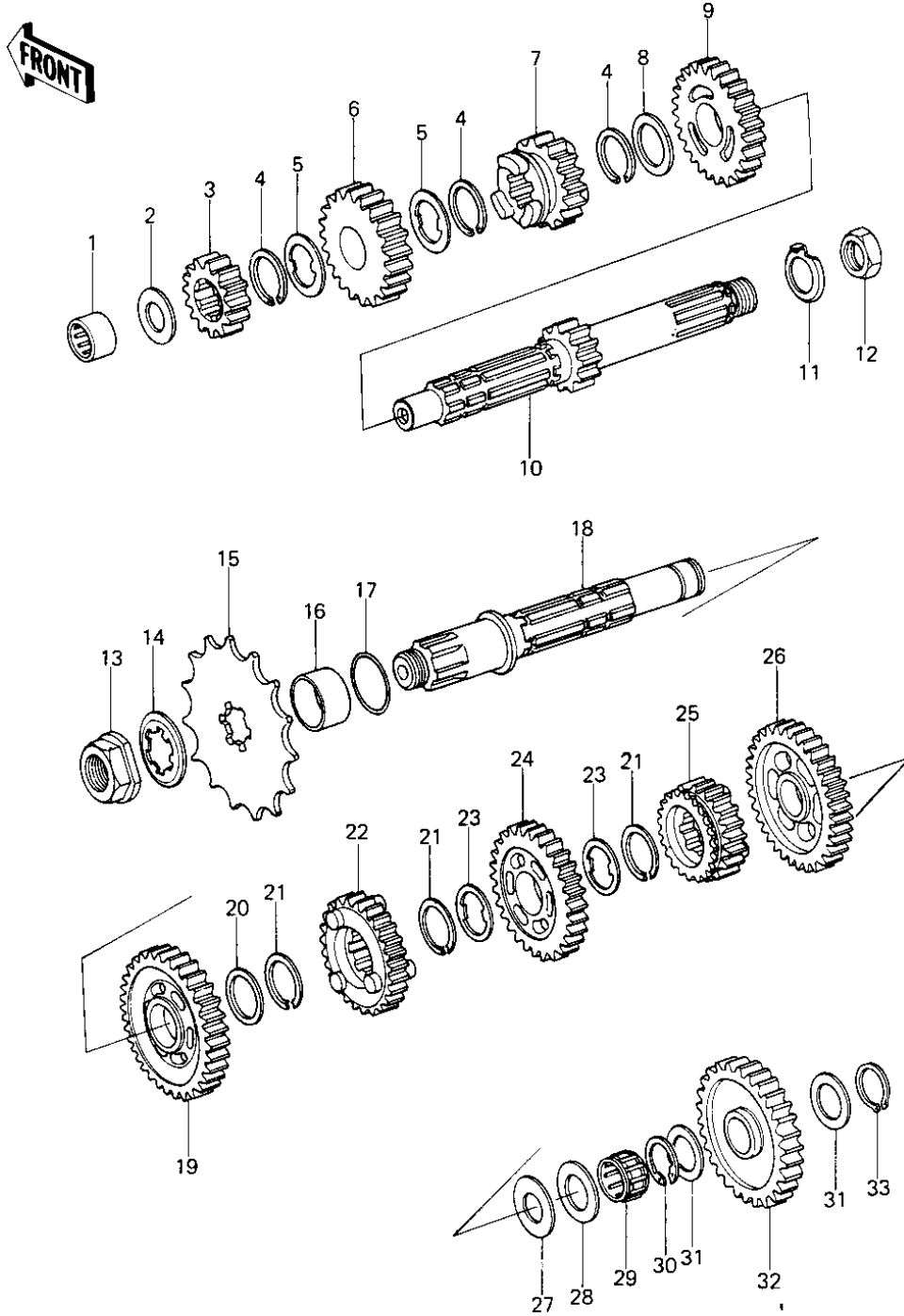


1978 KE250-B2 PARTS DIAGRAM

TRANSMISSION



1978 KE250-B2 PARTS LIST

TRANSMISSION

ITEM NAME	PART NUMBER	QUANTITY
NEEDLE BEARING, HK1516 (Canada) (Ref # 1)	92046-057	
WASHER, THRUST, 15MM (Ref # 2)	92022-279	
2ND GEAR, DRIVE SHAFT (Ref # 3)	13130-046	
CIRCLIP, 18MM (Ref # 4)	92033-029	
WASHER, LOCK (Ref # 5)	92024-059	
4TH GEAR, DRIVE SHAFT (Ref # 6)	13134-031	
3RD GEAR, DRIVE SHAFT (Ref # 7)	13132-046	
WASHER (Ref # 8)	92022-252	
TOP GEAR, DRIVE SHAFT (Ref # 9)	13136-062	
SHAFT, DRIVE (Ref # 10)	13127-057	
WASHER, LOCK, 16M/M (Ref # 11)	92024-076	
NUT, LOCK, 16MM (Ref # 12)	92015-072	
NUT, 18MM (Ref # 13)	92015-075	
WASHER, LOCK (Ref # 14)	92024-065	
ENGINE SPROCKET, 14T (Ref # 15)	13144-068	
ENGINE SPROCKET, 13T (Ref # 15)	13144-1017	
COLLAR, ENGINE SPROCKET (Ref # 16)	92027-1053	
"O" RING (Ref # 17)	92055-035	
SHAFT, OUTPUT (Ref # 18)	13128-043	
2ND GEAR, OUTPUT SHAFT (Ref # 19)	13131-054	
WASHER-PLAIN (Ref # 20)	92022-198	
CIRCLIP, 25MM (Ref # 21)	92033-025	
4TH GEAR, OUTPUT SHAFT (Ref # 22)	13135-036	
WASHER-LOCK (Ref # 23)	92024-039	
3RD GEAR, OUTPUT SHAFT (Ref # 24)	13133-043	
TOP GEAR, OUTPUT SHAFT (Ref # 25)	13137-041	
LOW GEAR, OUTPUT SHAFT (Ref # 26)	13129-060	
WASHER, PLAIN (Ref # 27)	92022-280	
WASHER, PLAIN (Ref # 28)	92022-281	

1978 KE250-B2 PARTS LIST

TRANSMISSION

ITEM NAME	PART NUMBER	QUANTITY
BEARING-NEEDLE (Ref # 29)	92046-1184	
CIRCLIP,16MM (Ref # 30)	92033-032	
WASHER-THRUST (Ref # 31)	92022-197	
IDLE GEAR 28T (Ref # 32)	13073-012	
CIRCLIP 16MM (Ref # 33)	480J1600	