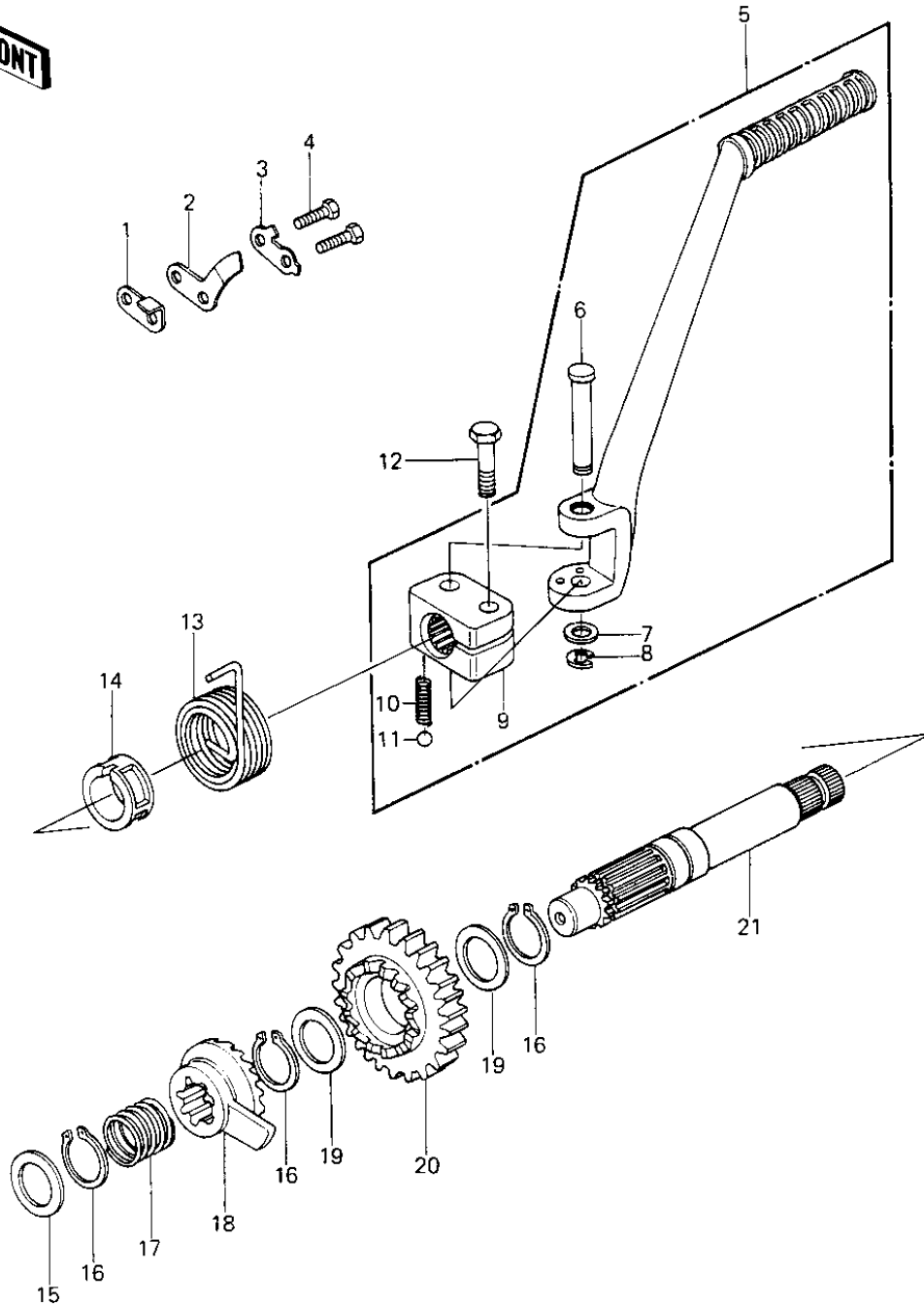


# 1978 KE250-B2 PARTS DIAGRAM

## KICKSTARTER MECHANISM



# 1978 KE250-B2 PARTS LIST

## KICKSTARTER MECHANISM

ITEM NAME	PART NUMBER	QUANTITY
STOPPER,KICKSHAFT (Ref # 1)	13072-016	
GUIDE,KICK STOPPER (Ref # 2)	13206-011	
WASHER,KICKSTOP GUIDE (Ref # 3)	92031-010	
BOLT-UPSET (Ref # 4)	112G0618	
PEDAL ASSY,KICK (Ref # 5)	13058-064	
PIN-KICKSTARTER (Ref # 6)	92043-075	
WASHER PLAIN 8MM (Ref # 7)	410B0800	
CIRCLIP 5MM (Ref # 8)	482K5000	
BOSS,KICK PEDAL (Ref # 9)	13061-028	
SPRING,KICK PEDAL (Ref # 10)	92081-157	
BALL STEEL 1/4' (Ref # 11)	600A0800	
BOLT HEX HEAD 8X28 (Ref # 12)	114G0828	
SPRING-KICKSTARTER (Ref # 13)	92082-003	
GUIDE,KICKSTARTER (Ref # 14)	13070-007	
WASHER (Ref # 15)	92022-252	
CIRCLIP (Ref # 16)	92033-026	
SPRING (Ref # 17)	92081-097	
RATCHET (Ref # 18)	13078-007	
WASHER-PLAIN 25MM (Ref # 19)	92022-159	
GEAR,KICK,29T (Ref # 20)	13068-036	
SHAFT,KICK (Ref # 21)	13066-1002	