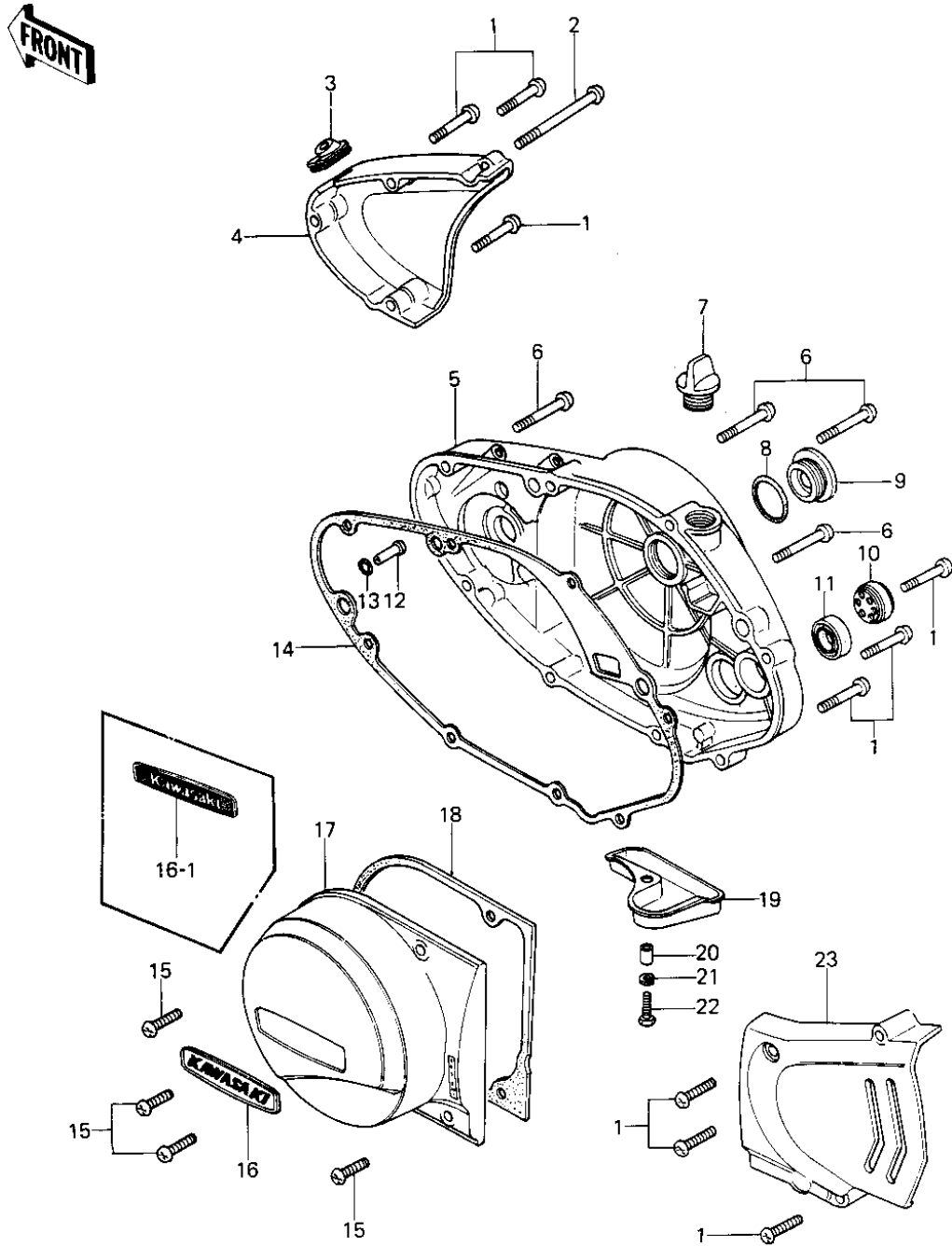


1979 KE250-B3 PARTS DIAGRAM

ENGINE COVERS



1979 KE250-B3 PARTS LIST

ENGINE COVERS

ITEM NAME	PART NUMBER	QUANTITY
SCREW PAN HEAD 6X30 (Ref # 1)	220B0630	
SCREW PAN HEAD 6X70 (Ref # 2)	220B0670	
GROMMET (Ref # 3)	92071-097	
COVER,OIL PUMP (Ref # 4)	14030-070-2H	
COVER,R.H.ENGINE (Ref # 5)	14032-118-2H	
SCREW PAN HEAD 6X40 (Ref # 6)	220B0640	
FILLER,OIL (Ref # 7)	16115-018	
"O" RING,RELEASE PLUG (Ref # 8)	92055-091	
PLUG,RELEASE (Ref # 9)	92067-024	
GAUGE,OIL LEVEL (Ref # 10)	52015-004	
OIL SEAL SB20285 (Ref # 11)	92049-012	
VALVE-CHECK (Ref # 12)	16128-006	
"O" RING,CHECK VALVE (Ref # 13)	92055-037	
GASKET,R.H.ENGINE COV (Ref # 14)	14046-036	
SCREW PAN HEAD 6X22 (Ref # 15)	220B0622	
EMBLEM,ENGINE COVER (Ref # 16)	56018-1032	
EMBLEM,ENGINE COVER (Ref # 16-1)	56018-1032	
COVER,L.H.ENGINE (Ref # 17)	14031-096-2H	
GASKET,L.H.ENGINE COV (Ref # 18)	14045-030	
COVER,RELEASE (Ref # 19)	14036-007	
COLLAR (Ref # 20)	92027-241	
WASHER SPRING 6MM (Ref # 21)	461F0600	
BOLT 6X22 (Ref # 22)	112B0622	
COVER,CHAIN CASE (Ref # 23)	14026-036-2H	