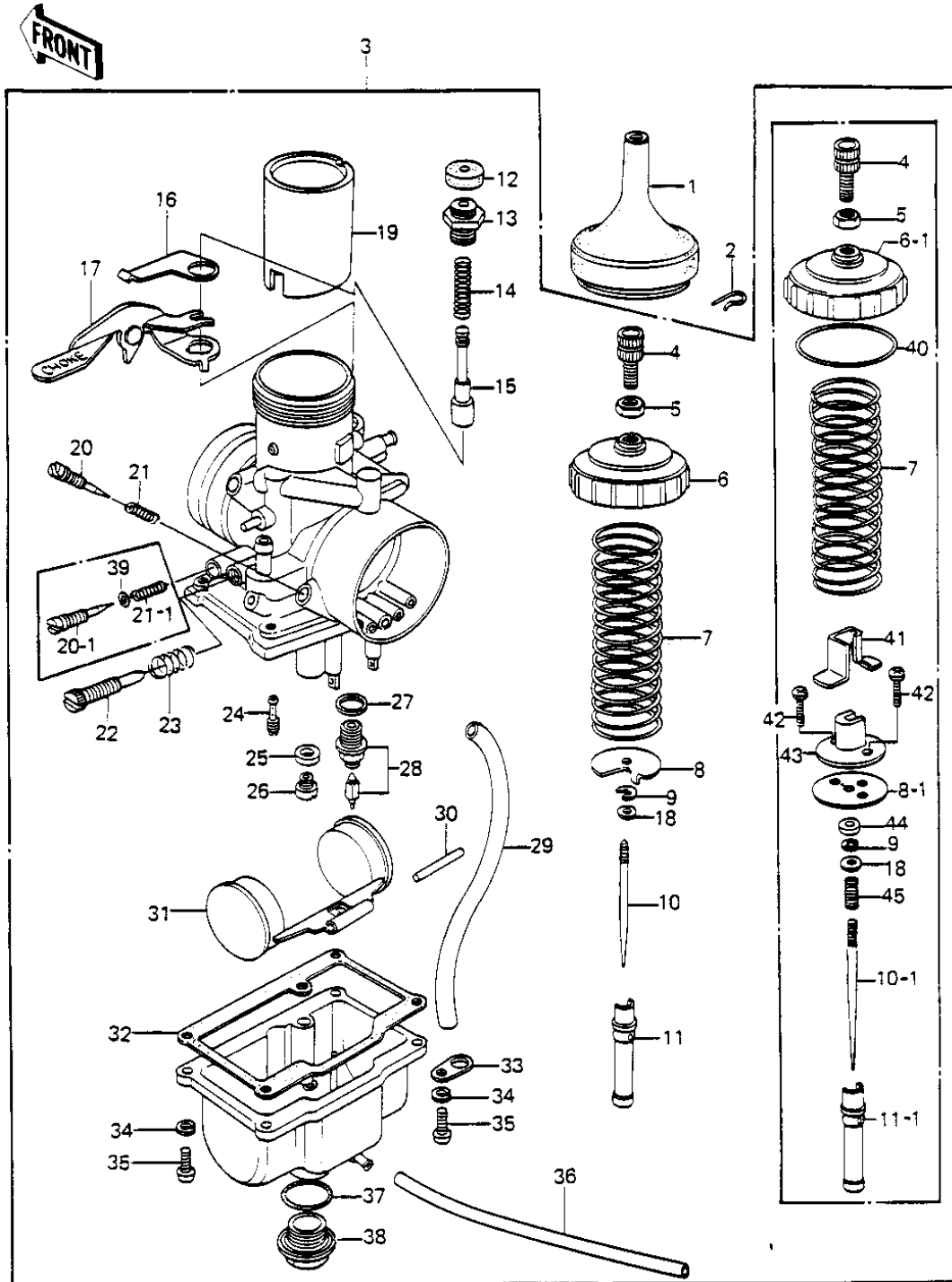


1977 KE250-B1 PARTS DIAGRAM

CARBURETOR



1977 KE250-B1 PARTS LIST

CARBURETOR

ITEM NAME	PART NUMBER	QUANTITY
BOOTS,CABLE ADJUSTER (Ref # 1)	49006-1004	1
BOOT,CARBURETOR (Ref # 1)	49006-1019	1
CIRCLIP (Ref # 2)	92036-018	1
CARBURETOR ASSY (Ref # 3)	16001-280	1
CARBURETOR ASSY (Ref # 3)	16001-1087	1
ADJUSTER,CABLE (Ref # 4)	16002-014	1
NUT-CABLE ADJUST LOCK (Ref # 5)	16003-006	1
CAP-MIXING CHAMBER (Ref # 6)	16004-018	1
CAP,MIXING CHAMBER (Ref # 6-1)	16004-1006	1
SPRING,THROTTLE VALVE (Ref # 7)	92081-1041	1
SPRING SEAT,THRTL VL (Ref # 8)	16007-021	1
PLATE,THROTTLE VALVE (Ref # 8-1)	16007-1011	1
CIRCLIP (Ref # 9)	16008-010	1
JET NEEDLE,5CN9-3 (Ref # 10)	16009-1006	1
JET NEEDLE,5CN22-2 (Ref # 10-1)	16009-1028	1
NEEDLE JET,P-2 (Ref # 11)	16017-1008	1
NEEDLE JET,#AP-0 (Ref # 11-1)	16017-1032	1
CAP,STARTER PLUNGER (Ref # 12)	16039-015	1
CAP,PLUNGER (Ref # 13)	16012-016	1
SPRING,STARTER PLUG (Ref # 14)	16013-008	1
PLUNGER,STARTER (Ref # 15)	16016-1002	1
SPRING PLATE,STARTER (Ref # 16)	13169-1052	1
LEVER,STARTER PLUNGER (Ref # 17)	13168-1008	1
WASHER,THROTTLE VALVE (Ref # 18)	92022-1024	1
VALVE,THROTTLE,CA2.5 (Ref # 19)	16025-1005	1
VALVE,THROTTLE,CA2.5 (Ref # 19)	16025-1024	1
SCREW (Ref # 20)	16014-006	1
SCREW,PILOT (Ref # 20-1)	16014-1010	1
SPRING-THR STOP SCREW (Ref # 21)	16022-007	1

1977 KE250-B1 PARTS LIST

CARBURETOR

ITEM NAME	PART NUMBER	QUANTITY
SPRING,PILOT SCREW (Ref # 21-1)	16022-016	1
SCREW-THROTTLE-ADJ (Ref # 22)	16021-1005	1
SPRING THR STOP SCREW (Ref # 23)	16022-005	1
JET-PILOT NO 35 (Ref # 24)	92064-023	1
PILOT JET,#A30 (Ref # 24)	92064-1021	1
WASHER MAIN JET (Ref # 25)	16034-001	1
MAIN JET,#A97.5R (Ref # 26)	92063-1035	1
MAIN JET NO 92.5R (Ref # 26)	92063-068	(1
MAIN JET,#A95 (Ref # 26)	92063-1031	(1
MAIN JET,#A100 (Ref # 26)	92063-1033	(1
MAIN JET,#A102.5 (Ref # 26)	92063-1028	(1
MAIN JET,#A100 (Ref # 26)	92063-1033	1
WASHER FLOAT VLV SEAT (Ref # 27)	16029-004	1
FLOAT VALVE ASSY (Ref # 28)	16030-005	1
TUBE,3.5X6.5X290,BRTH (Ref # 29)	92059-1017	1
FLOAT PIN (Ref # 30)	16032-003	1
FLOAT (Ref # 31)	16031-023	1
GASKET,FLOAT CHAMBER (Ref # 32)	11009-1031	1
PLATE,TUBE CLAMP (Ref # 33)	13169-1053	1
WASHER SPRING 4MM (Ref # 34)	461F0400	4
SCREW PAN HEAD 4X16 (Ref # 35)	220B0416	4
TUBE,3X5X300 (Ref # 36)	92059-1755	1
GASKET-COVER (Ref # 37)	16038-009	1
COVER,MAIN JET (Ref # 38)	16049-003	1
"O" RING (Ref # 39)	16038-024	1
"O" RING,MIXING CHAMB (Ref # 40)	92055-1054	1
COVER,THROTTLE,VALVE (Ref # 41)	14025-1113	1
SCREW,PAN HEAD,3X14 (Ref # 42)	16033-031	2
CONNECTOR, THROTTLE CABLE (Ref # 43)	13159-1004	1

1977 KE250-B1 PARTS LIST

CARBURETOR

ITEM NAME	PART NUMBER	QUANTITY
RING,JET NEEDLE (Ref # 44)	92027-1103	1
SPRING,JET NEEDLE (Ref # 45)	92081-1072	1