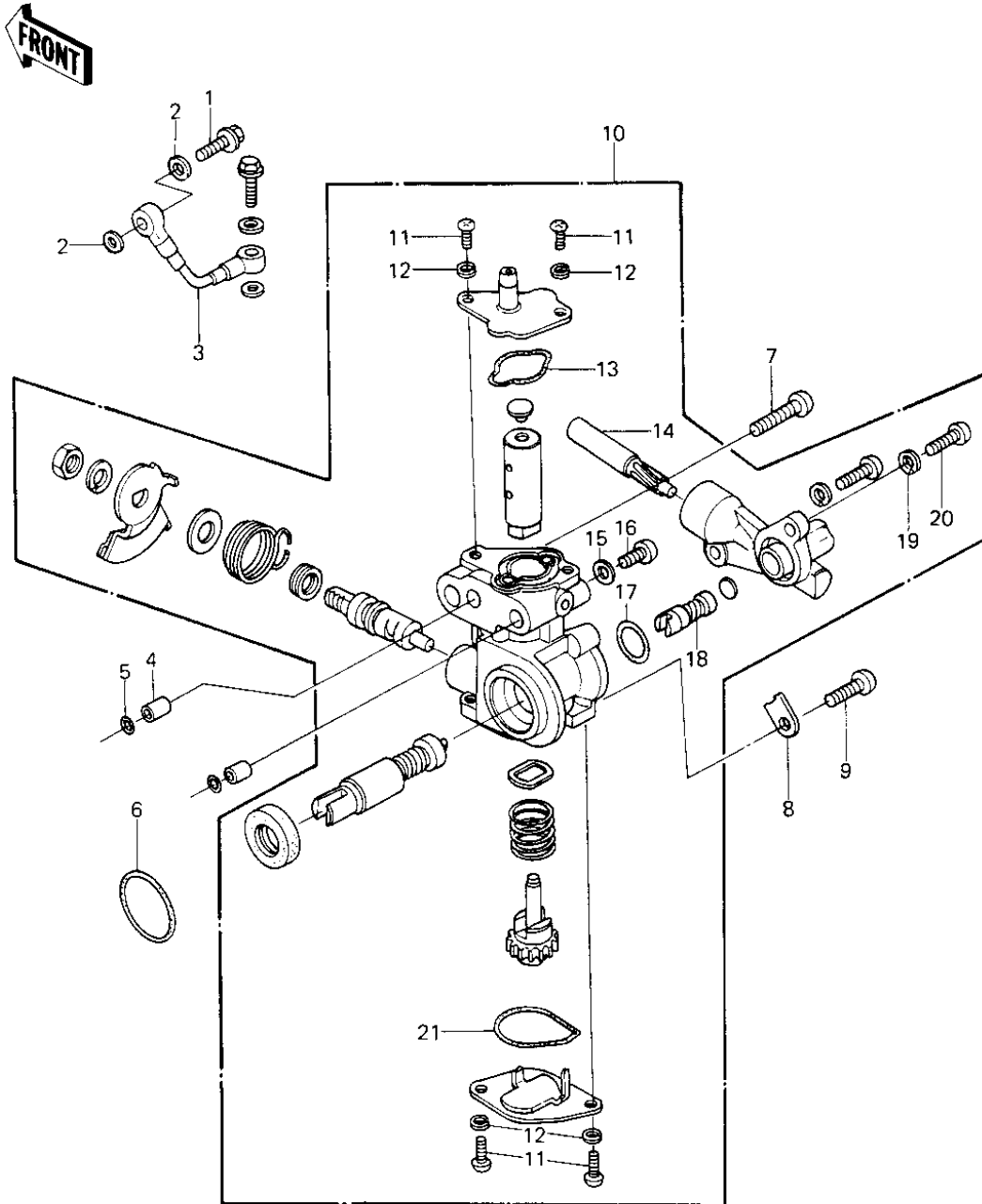


# 1978 KE250-B2 PARTS DIAGRAM

## OIL PUMP



# 1978 KE250-B2 PARTS LIST

## OIL PUMP

ITEM NAME	PART NUMBER	QUANTITY
BOLT-BANJO,6MM (Ref # 1)	92060-013	
WASHER OIL PUMP BANJO (Ref # 2)	92022-077	
PIPE,OIL (Ref # 3)	16134-030	
COLLAR (Ref # 4)	92027-256	
"O" RING,5MM (Ref # 5)	670B1505	
"O" RING (Ref # 6)	92055-055	
SCREW PAN HEAD 5X20 (Ref # 7)	220B0520	
CLAMP (Ref # 8)	92037-187	
SCREW PAN HEAD 6X14 (Ref # 9)	220B0614	
OIL PUMP ASSY (Ref # 10)	16082-1008	
OIL PUMP ASSY (Ref # 10)	16082-1008	
OIL PUMP ASSY (Ref # 10)	16082-1008	
SCREW PAN HEAD 3X8 (Ref # 11)	220B0308	
WASHER SPRING 3MM (Ref # 12)	461F0300	
"O" RING,OIL PUMP,UPP (Ref # 13)	92055-1016	
GEAR,TACHOMETER (Ref # 14)	41060-1008	
WASHER,AIR VENT (Ref # 15)	92022-1025	
"O" RING,TACHOMTR CAS (Ref # 17)	92055-1017	
GEAR,WORM TACHOMETER (Ref # 18)	41060-1007	
WASHER SPRING 4MM (Ref # 19)	461F0400	
SCREW PAN HEAD 4X10 (Ref # 20)	220B0410	
"O" RING,OIL PUMP LOW (Ref # 21)	92055-1015	