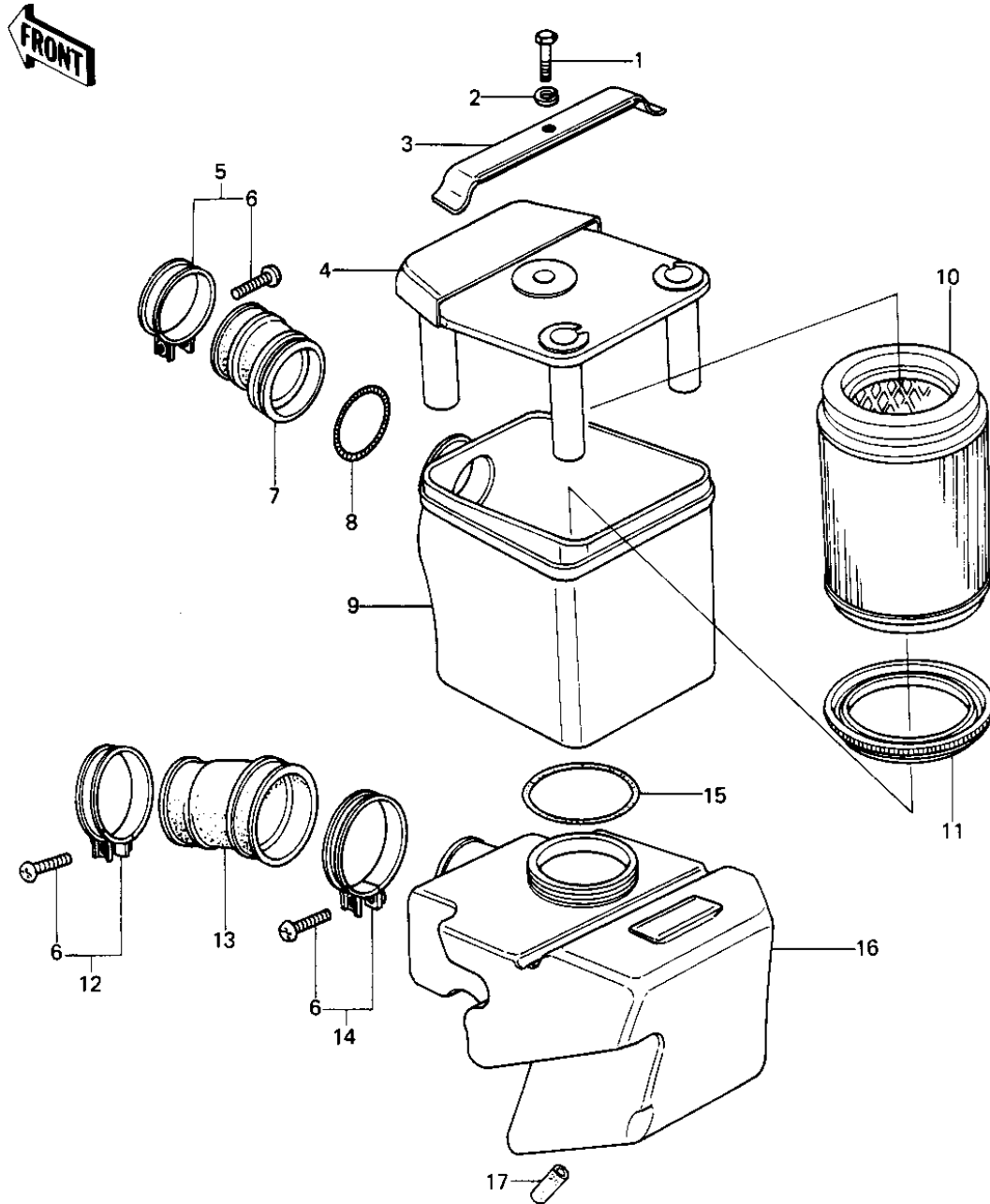


1977 KE250-B1 PARTS DIAGRAM

AIR CLEANER



1977 KE250-B1 PARTS LIST

AIR CLEANER

ITEM NAME	PART NUMBER	QUANTITY
BOLT-UPSET (Ref # 1)	112G0618	1
WASHER SPRING 6MM (Ref # 2)	461F0600	1
BRACKET,AIR CLEANER (Ref # 3)	32070-039	1
CAP,AIR CLEANER (Ref # 4)	11012-073	1
CLAMP,CARBURETOR HLDR (Ref # 5)	92037-178	1
SCREW-PAN-CROS,5X25 (Ref # 6)	220B0525	3
CONNECTOR,CLEANER (Ref # 7)	11026-020	1
SPRING COIL (Ref # 8)	92081-047	1
BODY,AIR CLEANER,UPPR (Ref # 9)	11011-062	1
ELEMENT,AIR CLNR (Ref # 10)	11013-061	1
HOLDER,AIR CLEANER (Ref # 11)	11033-007	1
CLAMP (Ref # 12)	92037-200	1
CONNECTOR,CLEANER-CAB (Ref # 13)	11026-019	1
CLAMP,CARBURETOR (Ref # 14)	92037-1021	1
"O" RING,AIR CLEAN BD (Ref # 15)	92055-110	1
BODY ASSY,AIR CLEANER (Ref # 16)	11038-5001	1
PLUG,AIR CLNR DRAIN (Ref # 17)	92066-1014	1