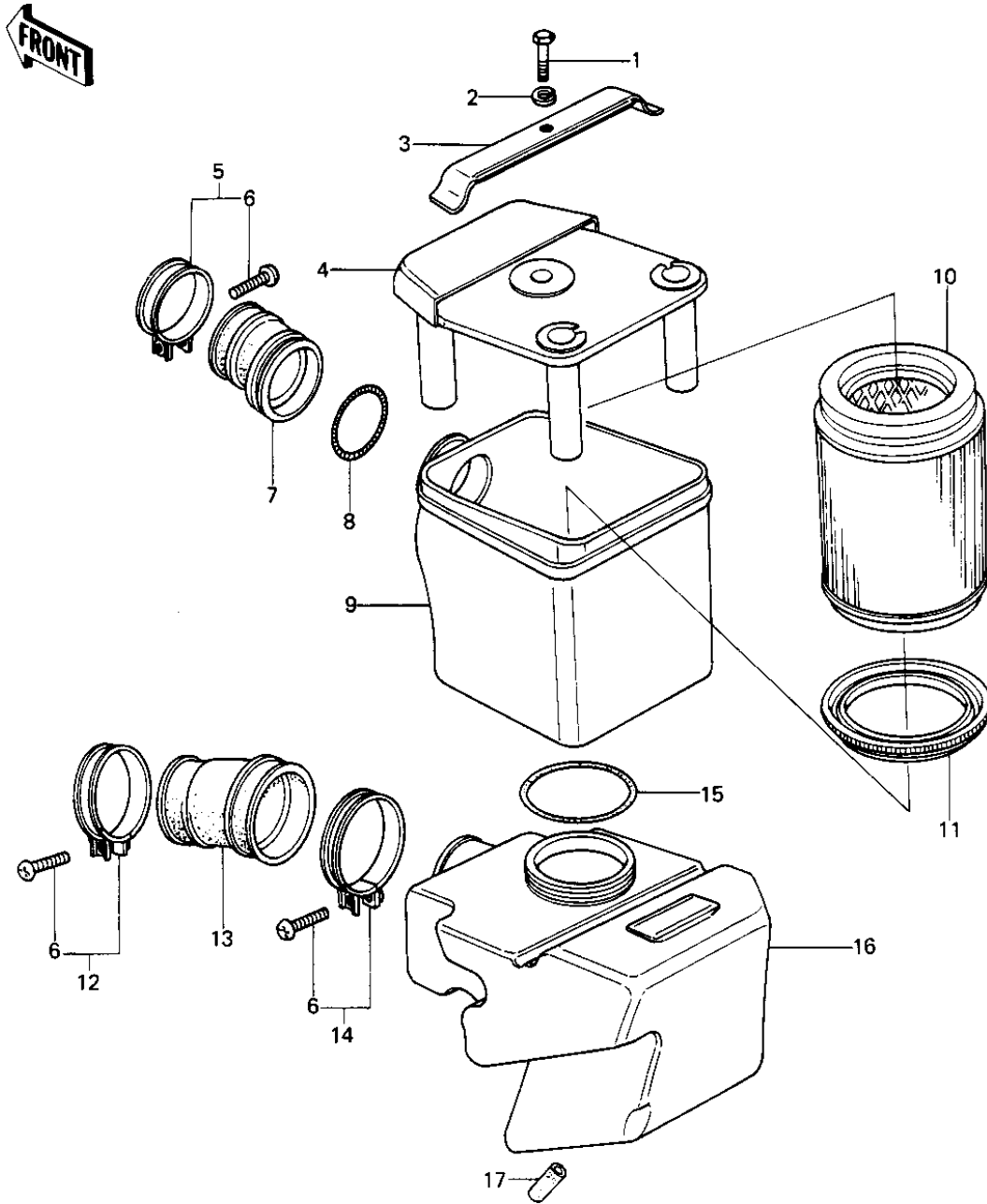


# 1979 KE250-B3 PARTS DIAGRAM

AIR CLEANER



# 1979 KE250-B3 PARTS LIST

## AIR CLEANER

| ITEM NAME                        | PART NUMBER | QUANTITY |
|----------------------------------|-------------|----------|
| BOLT-UPSET (Ref # 1)             | 112G0618    |          |
| WASHER SPRING 6MM (Ref # 2)      | 461F0600    |          |
| BRACKET,AIR CLEANER (Ref # 3)    | 32070-039   |          |
| CAP,AIR CLEANER (Ref # 4)        | 11012-073   |          |
| CLAMP,CARBURETOR HLDR (Ref # 5)  | 92037-178   |          |
| SCREW-PAN-CROS,5X25 (Ref # 6)    | 220B0525    |          |
| CONNECTOR,CLEANER (Ref # 7)      | 11026-020   |          |
| SPRING COIL (Ref # 8)            | 92081-047   |          |
| BODY,AIR CLEANER,UPPR (Ref # 9)  | 11011-062   |          |
| ELEMENT,AIR CLNR (Ref # 10)      | 11013-061   |          |
| HOLDER,AIR CLEANER (Ref # 11)    | 11033-007   |          |
| CLAMP (Ref # 12)                 | 92037-200   |          |
| CONNECTOR,CLEANER-CAB (Ref # 13) | 11026-019   |          |
| CLAMP,CARBURETOR (Ref # 14)      | 92037-1021  |          |
| "0" RING,AIR CLEAN BD (Ref # 15) | 92055-110   |          |
| BODY ASSY,AIR CLEANER (Ref # 16) | 11038-5001  |          |
| PLUG,AIR CLNR DRAIN (Ref # 17)   | 92066-1014  |          |