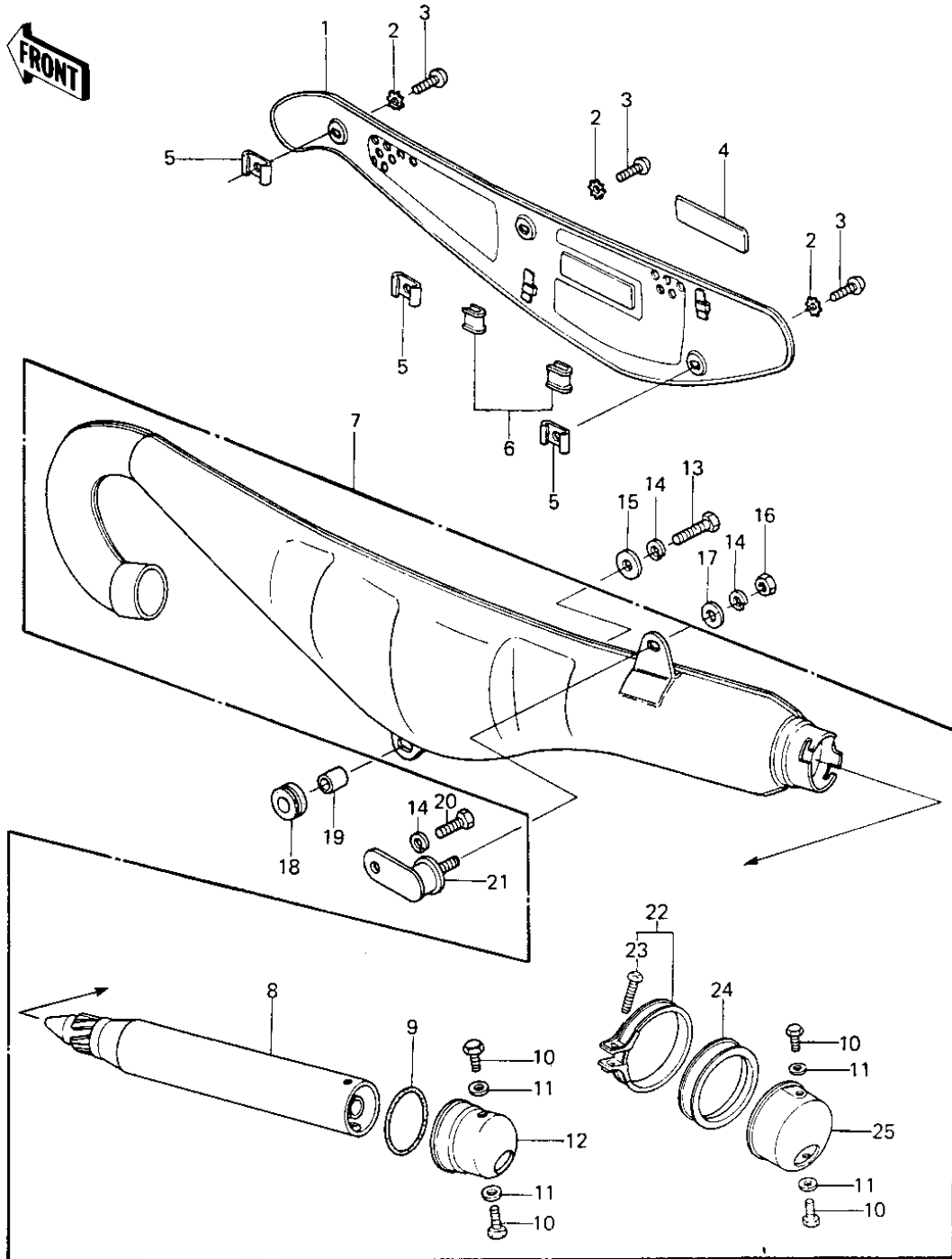


1979 KE250-B3 PARTS DIAGRAM

MUFFLER (KE250-B1/B2)



1979 KE250-B3 PARTS LIST

MUFFLER (KE250-B1/B2)

ITEM NAME	PART NUMBER	QUANTITY
COVER,MUFFLER (Ref # 1)	18064-020-21	
WASHER LOCK 6MM (Ref # 2)	464H0600	
SCREW,TRUSS HEAD 6X12 (Ref # 3)	92011-038	
EMBLEM,SIDE COVER (Ref # 4)	56018-226	
INSULATOR,HEAT (Ref # 5)	18065-010	
INSULATOR (Ref # 6)	18065-007	
MUFFLER ASSY (Ref # 7)	18001-1029-21	
MUFFLER ASSY (Ref # 7)	18001-1029-21	
BAFFLE TUBE (Ref # 8)	18033-109	
"0" RING,MUFFLER (Ref # 9)	92055-114	
BOLT-UPSET,6X12 (Ref # 10)	112G0612	
WASHER OIL PUMP BANJO (Ref # 11)	92022-077	
TAIL PIECE,MUFFLER (Ref # 12)	18048-019	
BOLT-SMALL-UPSET 8X25 (Ref # 13)	115G0825	
WASHER SPRING 8MM (Ref # 14)	461F0800	
WASHER,8X26X2.3 (Ref # 15)	92022-1564	
NUT,8MM (Ref # 16)	311B0800	
WASHER,8.5X20X1.6 (Ref # 17)	92022-1561	
DAMPER RUBBER-MUFFLER (Ref # 18)	18063-005	
COLLAR (Ref # 19)	92027-102	
BOLT-SMALL-UPSET,8X16 (Ref # 20)	115G0816	
BRACKET,MUFFLER (Ref # 21)	18061-060	
CLAMP (Ref # 22)	92037-171	
SCREW-PAN-CROS (Ref # 23)	220B0535	
DUST SHIELD,MUFFLER (Ref # 24)	92093-1008	
BAFFLE PIPE,MUFFLER (Ref # 25)	49099-1004	