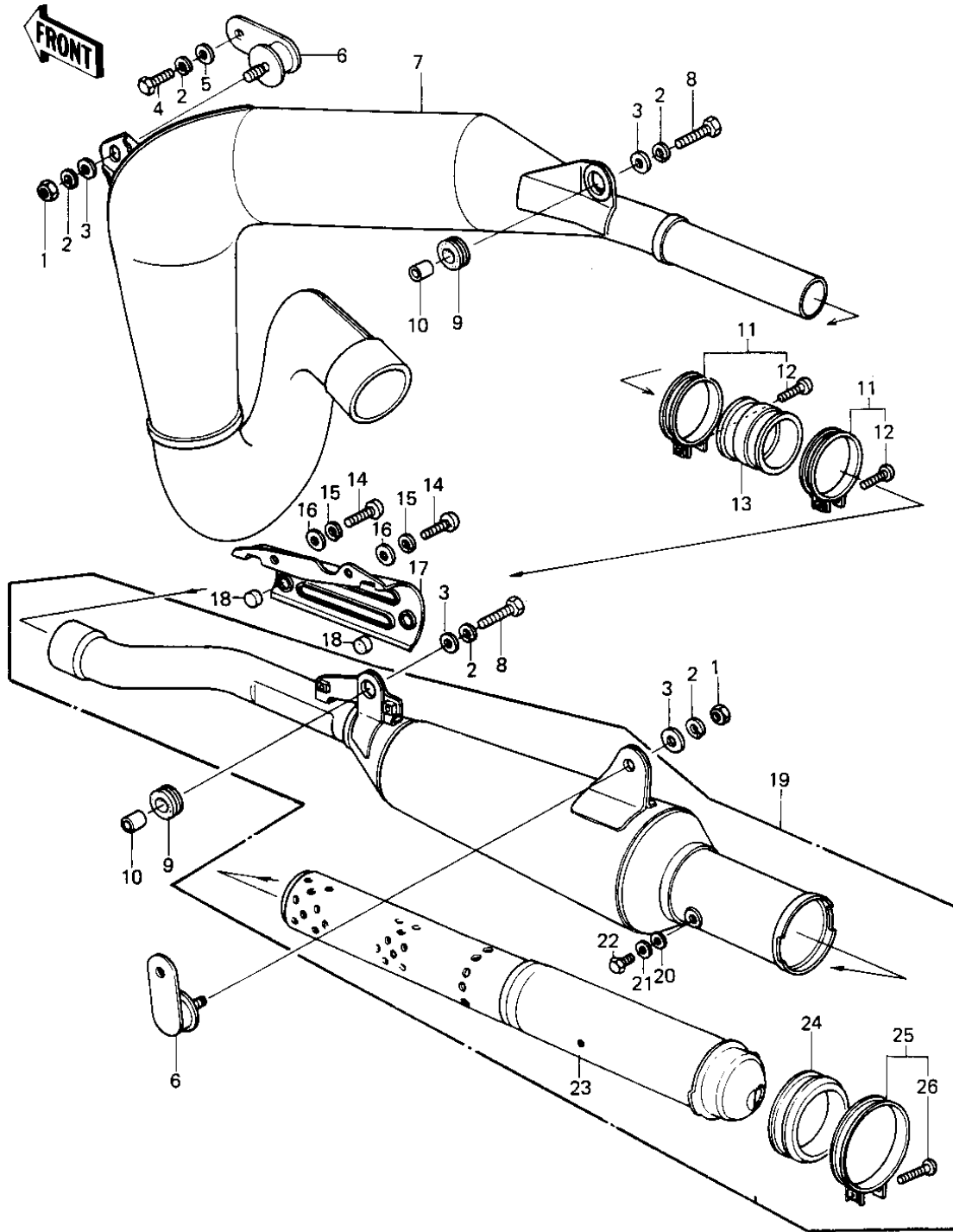


# 1978 KE250-B2 PARTS DIAGRAM

MUFFLER (KE250-B3)



## 1978 KE250-B2 PARTS LIST

### MUFFLER (KE250-B3)

ITEM NAME	PART NUMBER	QUANTITY
NUT,8MM (Ref # 1)	311B0800	
WASHER SPRING 8MM (Ref # 2)	461F0800	
WASHER,8.5X20X1.6 (Ref # 3)	92022-1561	
BOLT-SMALL-UPSET,8X16 (Ref # 4)	115G0816	
WASHER PLAIN 8MM (Ref # 5)	410B0800	
BRACKET,MUFFLER (Ref # 6)	18061-060	
BODY-MUFFLER,F.BLACK (Ref # 7)	18006-1019	
BOLT-SMALL-UPSET 8X25 (Ref # 8)	115G0825	
DAMPER RUBBER-MUFFLER (Ref # 9)	18063-005	
COLLAR (Ref # 10)	92027-102	
CLAMP,MUFFLER (Ref # 11)	92037-177	
SCREW-PAN-CROS,5X25 (Ref # 12)	220B0525	
DUST SHIELD,MUFFLER (Ref # 13)	92093-1014	
SCREW PAN HEAD 6X12 (Ref # 14)	220B0612	
WASHER SPRING 6MM (Ref # 15)	461F0600	
WASHER PLAIN 6MM (Ref # 16)	411B0600	
COVER,MUFFLER,F.BLACK (Ref # 17)	14025-1061	
DAMPER RUBBER,MUFFLER (Ref # 18)	92075-1089	
MUFFLER ASSY,F.BLACK (Ref # 19)	18001-1046	
WASHER OIL PUMP BANJO (Ref # 20)	92022-077	
WASHER PLAIN 6MM (Ref # 21)	411B0600	
BOLT HEX HEAD 6X8 (Ref # 22)	110B0608	
BAFFLE-PIPE,MUFFLER (Ref # 23)	49099-1007-21	
DUST SHIELD,MUFFLER (Ref # 24)	92093-1013	
CLAMP (Ref # 25)	92037-171	
SCREW-PAN-CROS (Ref # 26)	220B0535	