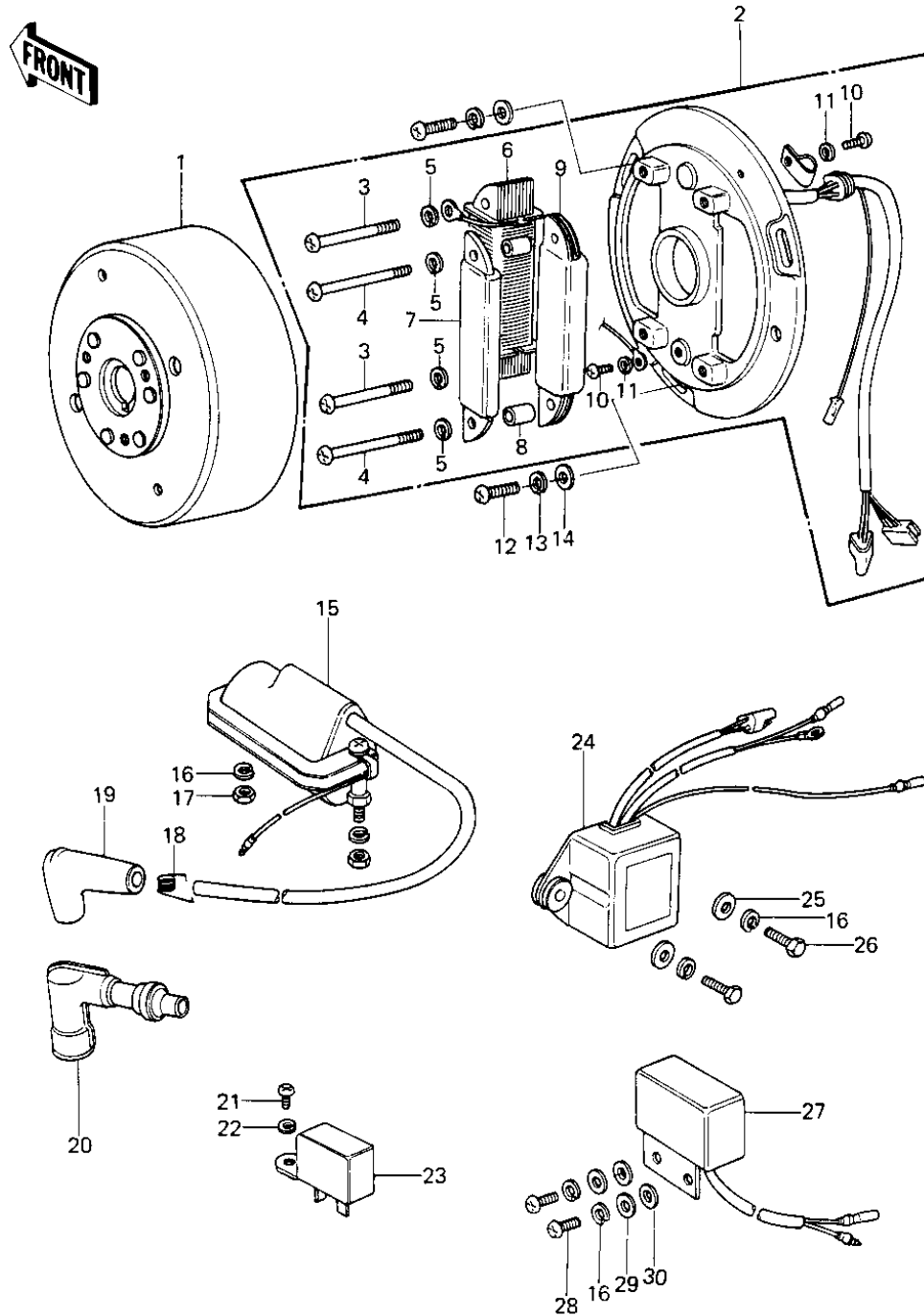


1978 KE250-B2 PARTS DIAGRAM

IGNITION/GENERATOR/REGULATOR



1978 KE250-B2 PARTS LIST

IGNITION/GENERATOR/REGULATOR

ITEM NAME	PART NUMBER	QUANTITY
FLYWHEEL,MAGNETO (Ref # 1)	21050-1002	
STATOR ASSY (Ref # 2)	21003-1004	
SCREW-PAN-CROS (Ref # 3)	220B0535	
SCREW-PAN-CROS (Ref # 4)	220B0540	
WASHER SPRING 5MM (Ref # 5)	461F0500	
COIL,LIGHTING (Ref # 6)	21047-1002	
COIL,PULSING (Ref # 7)	59026-1001	
COLLAR,COIL (Ref # 8)	92027-1055	
COIL,EXCITING (Ref # 9)	21049-1001	
SCREW PAN HEAD 4X6 (Ref # 10)	220B0406	
WASHER SPRING 4MM (Ref # 11)	461F0400	
SCREW PAN HEAD 5X20 (Ref # 12)	220B0520	
WASHER SPRING 5MM (Ref # 13)	461F0500	
WASHER PLAIN 5MM (Ref # 14)	410B0500	
COIL,IGNITION (Ref # 15)	21121-094	
WASHER SPRING 6MM (Ref # 16)	461F0600	
NUT 6MM (Ref # 17)	311B0600	
SPRING-SPARK PLUG CAP (Ref # 18)	92101-001	
CAP SPARK PLUG (Ref # 19)	21130-009	
CAP,SPARK PLUG (Ref # 20)	21160-005	
SCREW PAN HEAD 5X10 (Ref # 21)	220B0510	
WASHER SPRING 5MM (Ref # 22)	461F0500	
RECTIFIER (Ref # 23)	21061-015	
IGNITER (Ref # 24)	21119-027	
WASHER 6.5X20X1.6T (Ref # 25)	92022-125	
BOLT-UPSET,6X20 (Ref # 26)	112G0620	
REGULATOR (Ref # 27)	21066-028	
SCREW PAN HEAD 6X16 (Ref # 28)	220B0616	
WASHER PLAIN 6MM (Ref # 29)	410B0600	