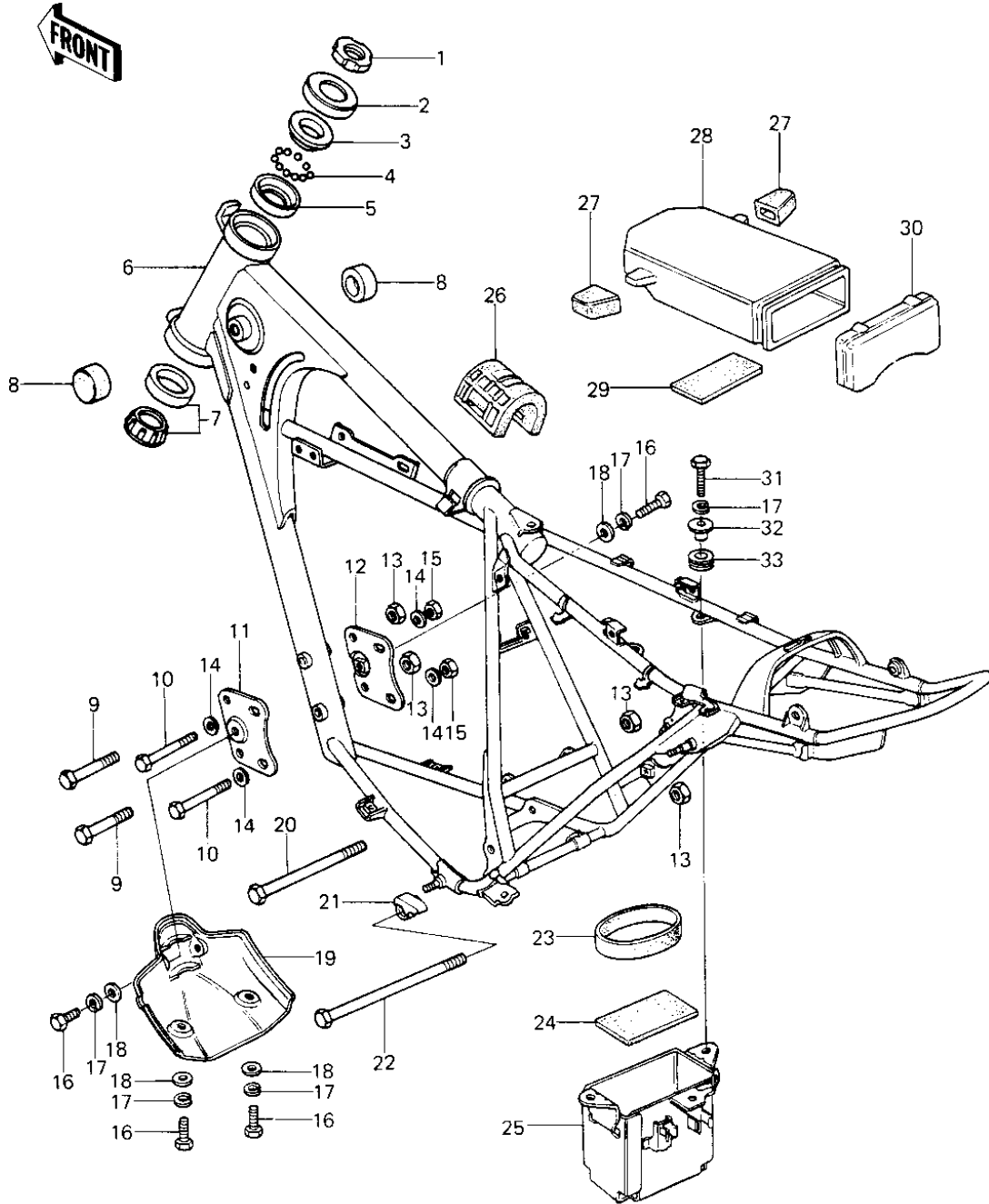


1979 KE250-B3 PARTS DIAGRAM

FRAME/FRAME FITTINGS



1979 KE250-B3 PARTS LIST

FRAME/FRAME FITTINGS

ITEM NAME	PART NUMBER	QUANTITY
NUT,STEERING STEM (Ref # 1)	92090-022	
CAP,STEERING STEM (Ref # 2)	46098-018	
CONE,STEERING STEM (Ref # 3)	92047-020	
BALL STEEL 1/4' (Ref # 4)	600A0800	
RACE,STEERING STEM (Ref # 5)	92048-010	
FRAME (Ref # 6)	32002-156	
FRAME (Ref # 6)	32002-1041	
BEARING,STEERING STEM (Ref # 7)	92047-017	
DAMPER RUBBER-FL TANK (Ref # 8)	92075-101	
BOLT,HEX HEAD,10X65 (Ref # 9)	113B1065	
BOLT FLANGED,8X70 (Ref # 10)	92001-1583	
PLATE,ENGINE MUNT,L.H (Ref # 11)	32030-062	
PLATE,ENGINE MUNT,R.H (Ref # 12)	32030-072	
NUT,LOCK,10MM (Ref # 13)	92019-021	
WASHER PLAIN 8MM (Ref # 14)	411B0800	
NUT,LOCK,8MM (Ref # 15)	92017-013	
BOLT-UPSET,6X16 (Ref # 16)	112G0616	
WASHER SPRING 6MM (Ref # 17)	461F0600	
WASHER-PLAIN,7MM (Ref # 18)	92022-240	
GUARD,ENGINE (Ref # 19)	55011-025	
BOLT,HEX HEAD,10X130 (Ref # 20)	92001-1249	
GUARD (Ref # 21)	55020-1009	
BOLT,HEX HEAD,10X150 (Ref # 22)	92001-1251	
MAT-BATTERY SIDE (Ref # 23)	32103-023	
MAT,BATTERY (Ref # 24)	32103-027	
CASE,BATTERY (Ref # 25)	32097-042	
DAMPER RUBBER (Ref # 26)	92075-284	
DAMPER,RUBBER (Ref # 27)	92075-316	
CASE,TOOL (Ref # 28)	32098-027	

1979 KE250-B3 PARTS LIST

FRAME/FRAME FITTINGS

ITEM NAME	PART NUMBER	QUANTITY
DAMPER,RUBBER (Ref # 29)	92075-1015	
COVER,TOOL CASE (Ref # 30)	32104-007	
BOLT-UPSET,6X20 (Ref # 31)	112G0620	
COLLAR (Ref # 32)	92027-153	
DAMPER RUBBER (Ref # 33)	92075-051	