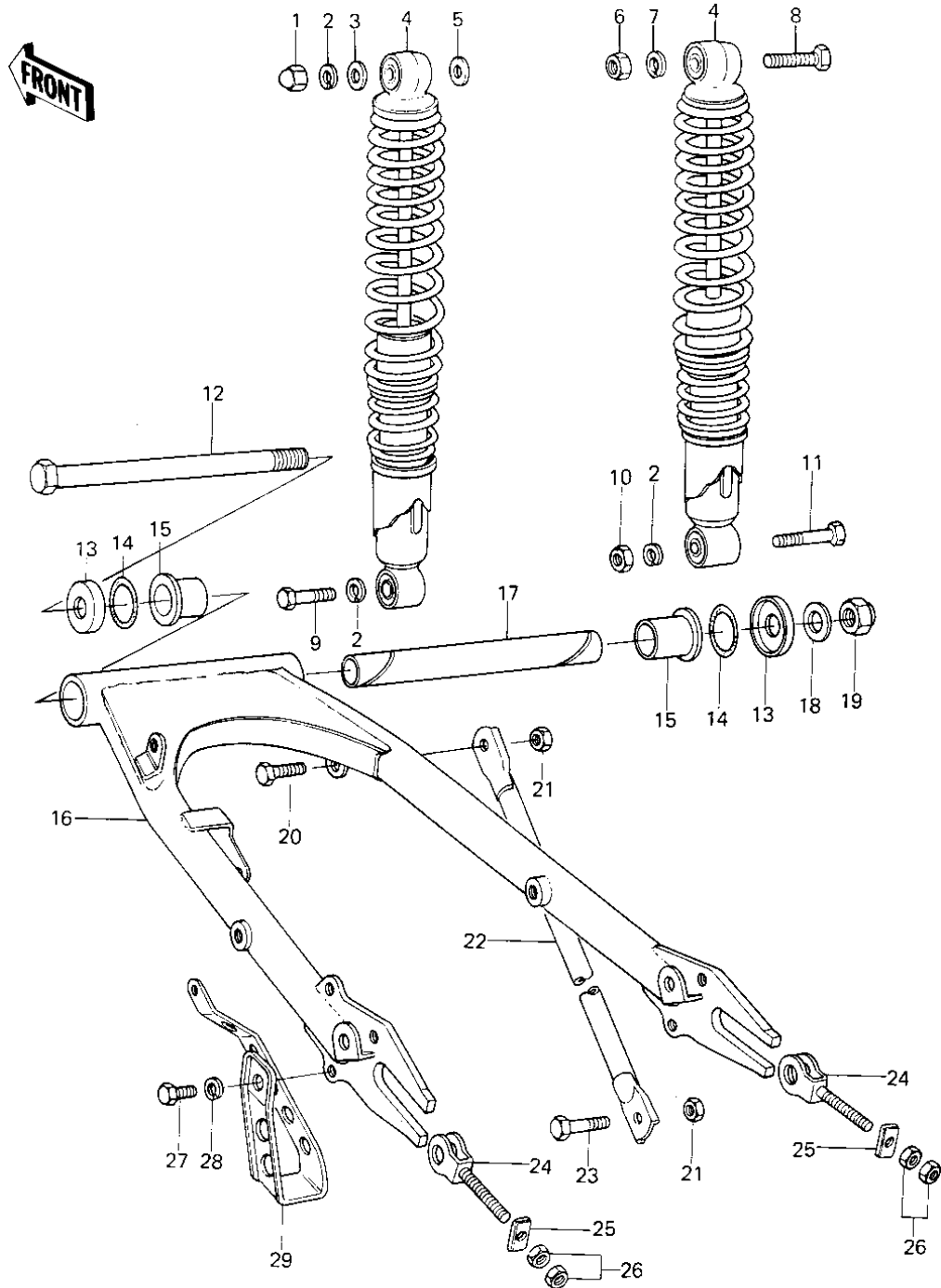


1979 KE250-B3 PARTS DIAGRAM

SWING ARM/SHOCK ABSORBERS



1979 KE250-B3 PARTS LIST

SWING ARM/SHOCK ABSORBERS

ITEM NAME	PART NUMBER	QUANTITY
NUT SHOCK ABSORBER (Ref # 1)	92020-003	
WASHER SPRING 10MM (Ref # 2)	461F1000	
WASHER PLAIN 10MM (Ref # 3)	411B1000	
SHOCK ABSBR RR (Ref # 4)	45014-122	
SHOCK ABSBR RR (Ref # 4)	45014-1016	
WASHER PLAIN 12MM (Ref # 5)	411B1200	
NUT-HEX-FINE,12MM (Ref # 6)	315B1200	
WASHER SPRING 12MM (Ref # 7)	461F1200	
BOLT HEX HEAD 12X40 (Ref # 8)	113B1240	
BOLT HEX HEAD 10X35 (Ref # 9)	113N1035	
NUT,10MM (Ref # 10)	314B1000	
BOLT HEX HEAD 10X45 (Ref # 11)	113N1045	
SHAFT-SWING ARM PIVOT (Ref # 12)	33032-035	
CAP-SWINGING ARM (Ref # 13)	33035-005	
"O" RING,30MM (Ref # 14)	671B2530	
BUSHING-SWING ARM (Ref # 15)	33033-009	
SWING ARM (Ref # 16)	33001-088	
SLEEVE,SWING ARM (Ref # 17)	42036-1003	
WASHER PLAIN 12MM (Ref # 18)	410B1200	
NUT-LOCK,12MM (Ref # 19)	92019-009	
BOLT,HEX HEAD,10X22 (Ref # 20)	113G1022	
NUT,10MM (Ref # 21)	92019-016	
TORQUE LINK,REAR BRAK (Ref # 22)	43007-048	
BOLT,10X28 (Ref # 23)	113G1028	
ADJUSTER,CHAIN (Ref # 24)	33040-1002	
PLATE,CHAIN ADJUSTER (Ref # 25)	33041-005	
NUT,8MM (Ref # 26)	311B0800	
BOLT, HEX HEAD 8 X 14 (Ref # 27)	110B08-14	
WASHER SPRING 8MM (Ref # 28)	461F0800	

1979 KE250-B3 PARTS LIST

SWING ARM/SHOCK ABSORBERS

ITEM NAME	PART NUMBER	QUANTITY
GUARD,CHAIN (Ref # 29)	55020-021	