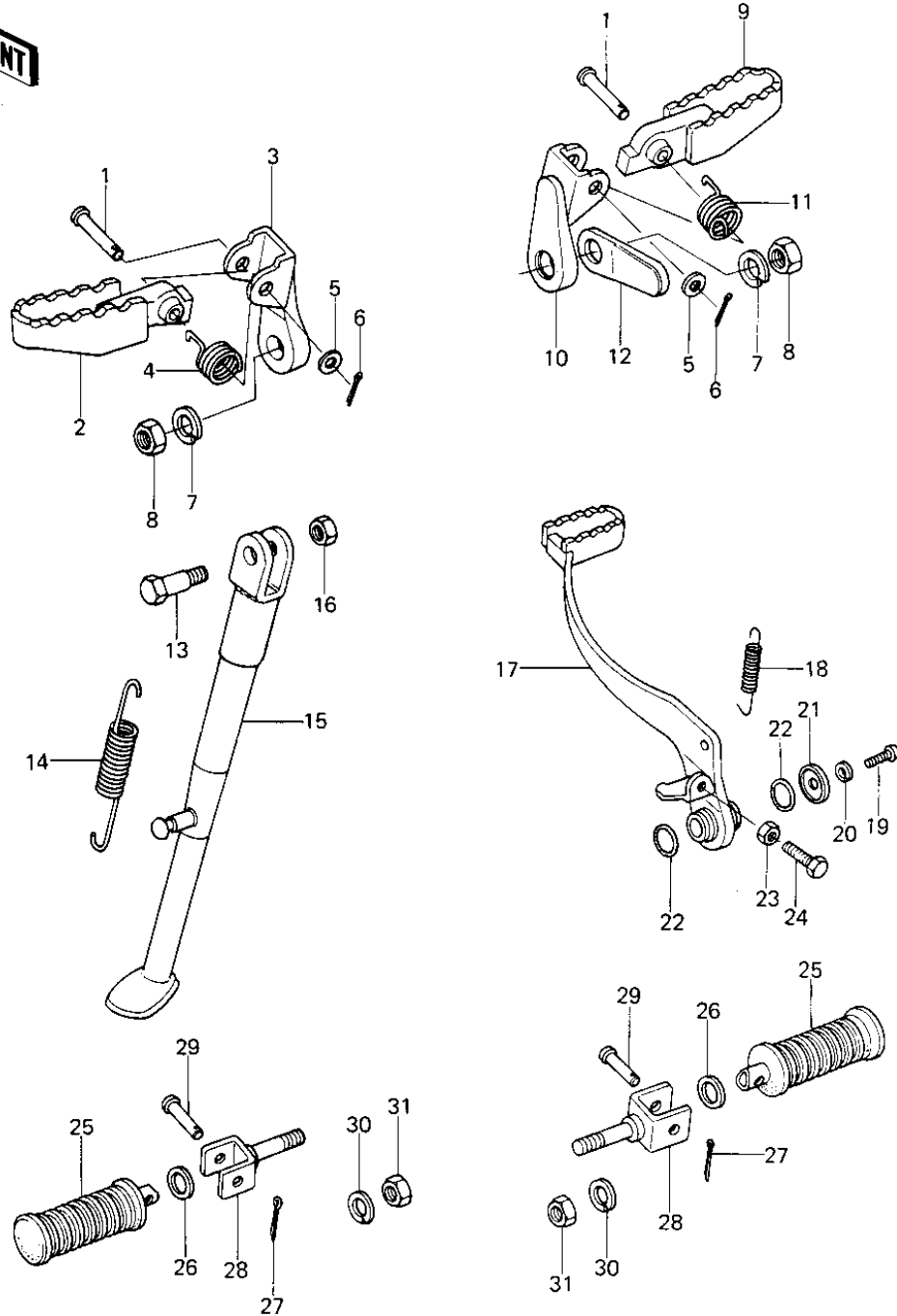


1978 KE250-B2 PARTS DIAGRAM

FOOTRESTS/STAND/BRAKE PEDAL



1978 KE250-B2 PARTS LIST

FOOTRESTS/STAND/BRAKE PEDAL

ITEM NAME	PART NUMBER	QUANTITY
PIN,FOOTREST BAR FIT (Ref # 1)	92043-115	
STEP,FOOTREST,L.H (Ref # 2)	34028-037	
HOLDER,FOOTREST,L.H (Ref # 3)	34003-067	
SPRING,L.H,FOOTREST (Ref # 4)	92081-1254	
WASHER PLAIN 8MM (Ref # 5)	410B0800	
PIN COTTER 2.5X16 (Ref # 6)	550D2516	
WASHER SPRING 14MM (Ref # 7)	461F1400	
NUT 14MM (Ref # 8)	315B1400	
STEP,FOOTREST,R.H (Ref # 9)	34028-038	
HOLDER,FOOTREST,R.H (Ref # 10)	34003-068	
SPRING,R.H,FOOTREST (Ref # 11)	92081-1255	
PLATE,FOOTREST (Ref # 12)	13169-1018	
BOLT, SIDE STAND FIT (Ref # 13)	92003-157	
SPRING,SIDE STAND (Ref # 14)	34025-008	
STAND-SIDE (Ref # 15)	34024-064	
NUT 10MM (Ref # 16)	315B1000	
PISTON,STD (Ref # 17)	13001-072	
SPRING BRAKE PEDAL (Ref # 18)	43005-032	
SCREW PAN HEAD 6X12 (Ref # 19)	220B0612	
WASHER SPRING 6MM (Ref # 20)	461F0600	
WASHER,PLAIN,6MM (Ref # 21)	92022-284	
"O" RING,16MM (Ref # 22)	670B2016	
NUT 6MM (Ref # 23)	311B0600	
BOLT-HEX HEAD,6X32 (Ref # 24)	110N0632	
RUBBER,FOOTREST (Ref # 25)	92076-027	
WASHER-PLAIN (OPT) (Ref # 26)	92022-199	
PIN,COTTER,2.0X12 (Ref # 27)	550D2012	
BRACKET,REAR FOOTREST (Ref # 28)	34029-011	
PIN (Ref # 29)	92043-1464	

1978 KE250-B2 PARTS LIST

FOOTRESTS/STAND/BRAKE PEDAL

ITEM NAME	PART NUMBER	QUANTITY
WASHER SPRING 10MM (Ref # 30)	461F1000	
NUT,10MM (Ref # 31)	314B1000	