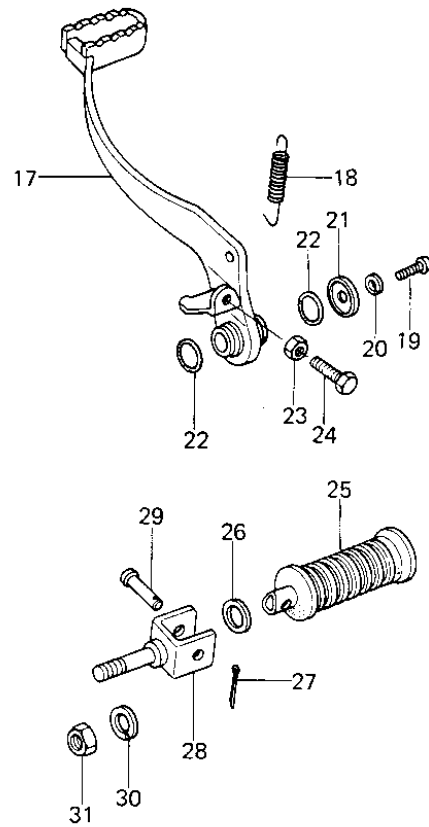
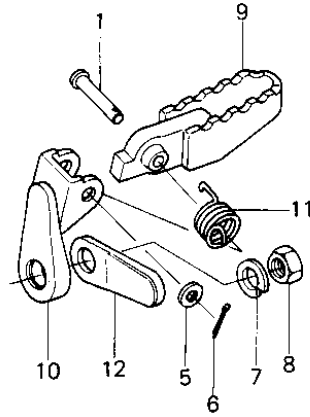
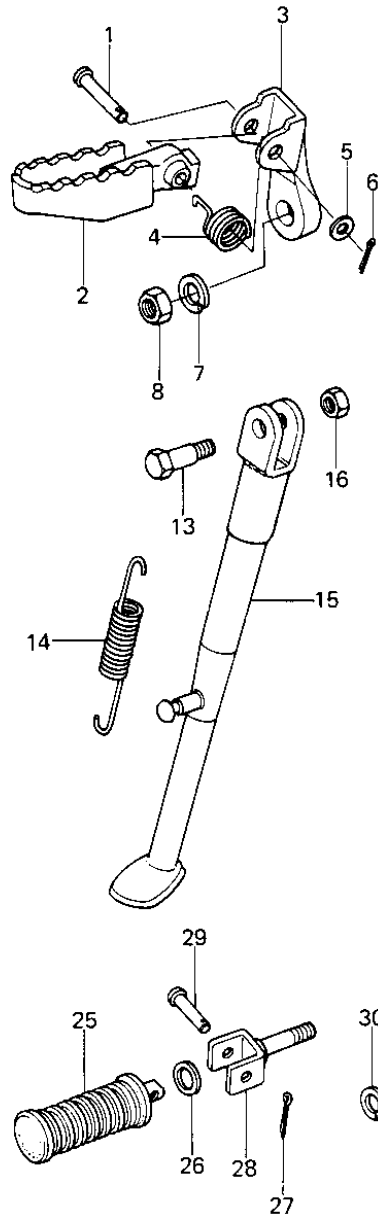


# 1979 KE250-B3 PARTS DIAGRAM

FOOTRESTS/STAND/BRAKE PEDAL



# 1979 KE250-B3 PARTS LIST

## FOOTRESTS/STAND/BRAKE PEDAL

| ITEM NAME                        | PART NUMBER | QUANTITY |
|----------------------------------|-------------|----------|
| PIN,FOOTREST BAR FIT (Ref # 1)   | 92043-115   |          |
| STEP,FOOTREST,L.H (Ref # 2)      | 34028-037   |          |
| HOLDER,FOOTREST,L.H (Ref # 3)    | 34003-067   |          |
| SPRING,L.H,FOOTREST (Ref # 4)    | 92081-1254  |          |
| WASHER PLAIN 8MM (Ref # 5)       | 410B0800    |          |
| PIN COTTER 2.5X16 (Ref # 6)      | 550D2516    |          |
| WASHER SPRING 14MM (Ref # 7)     | 461F1400    |          |
| NUT 14MM (Ref # 8)               | 315B1400    |          |
| STEP,FOOTREST,R.H (Ref # 9)      | 34028-038   |          |
| HOLDER,FOOTREST,R.H (Ref # 10)   | 34003-068   |          |
| SPRING,R.H,FOOTREST (Ref # 11)   | 92081-1255  |          |
| PLATE,FOOTREST (Ref # 12)        | 13169-1018  |          |
| BOLT, SIDE STAND FIT (Ref # 13)  | 92003-157   |          |
| SPRING,SIDE STAND (Ref # 14)     | 34025-008   |          |
| STAND-SIDE (Ref # 15)            | 34024-064   |          |
| NUT 10MM (Ref # 16)              | 315B1000    |          |
| PISTON,STD (Ref # 17)            | 13001-072   |          |
| SPRING BRAKE PEDAL (Ref # 18)    | 43005-032   |          |
| SCREW PAN HEAD 6X12 (Ref # 19)   | 220B0612    |          |
| WASHER SPRING 6MM (Ref # 20)     | 461F0600    |          |
| WASHER,PLAIN,6MM (Ref # 21)      | 92022-284   |          |
| "O" RING,16MM (Ref # 22)         | 670B2016    |          |
| NUT 6MM (Ref # 23)               | 311B0600    |          |
| BOLT-HEX HEAD,6X32 (Ref # 24)    | 110N0632    |          |
| RUBBER,FOOTREST (Ref # 25)       | 92076-027   |          |
| WASHER-PLAIN (OPT) (Ref # 26)    | 92022-199   |          |
| PIN,COTTER,2.0X12 (Ref # 27)     | 550D2012    |          |
| BRACKET,REAR FOOTREST (Ref # 28) | 34029-011   |          |
| PIN (Ref # 29)                   | 92043-1464  |          |

# 1979 KE250-B3 PARTS LIST

## FOOTRESTS/STAND/BRAKE PEDAL

| ITEM NAME                     | PART NUMBER | QUANTITY |
|-------------------------------|-------------|----------|
| WASHER SPRING 10MM (Ref # 30) | 461F1000    |          |
| NUT,10MM (Ref # 31)           | 314B1000    |          |