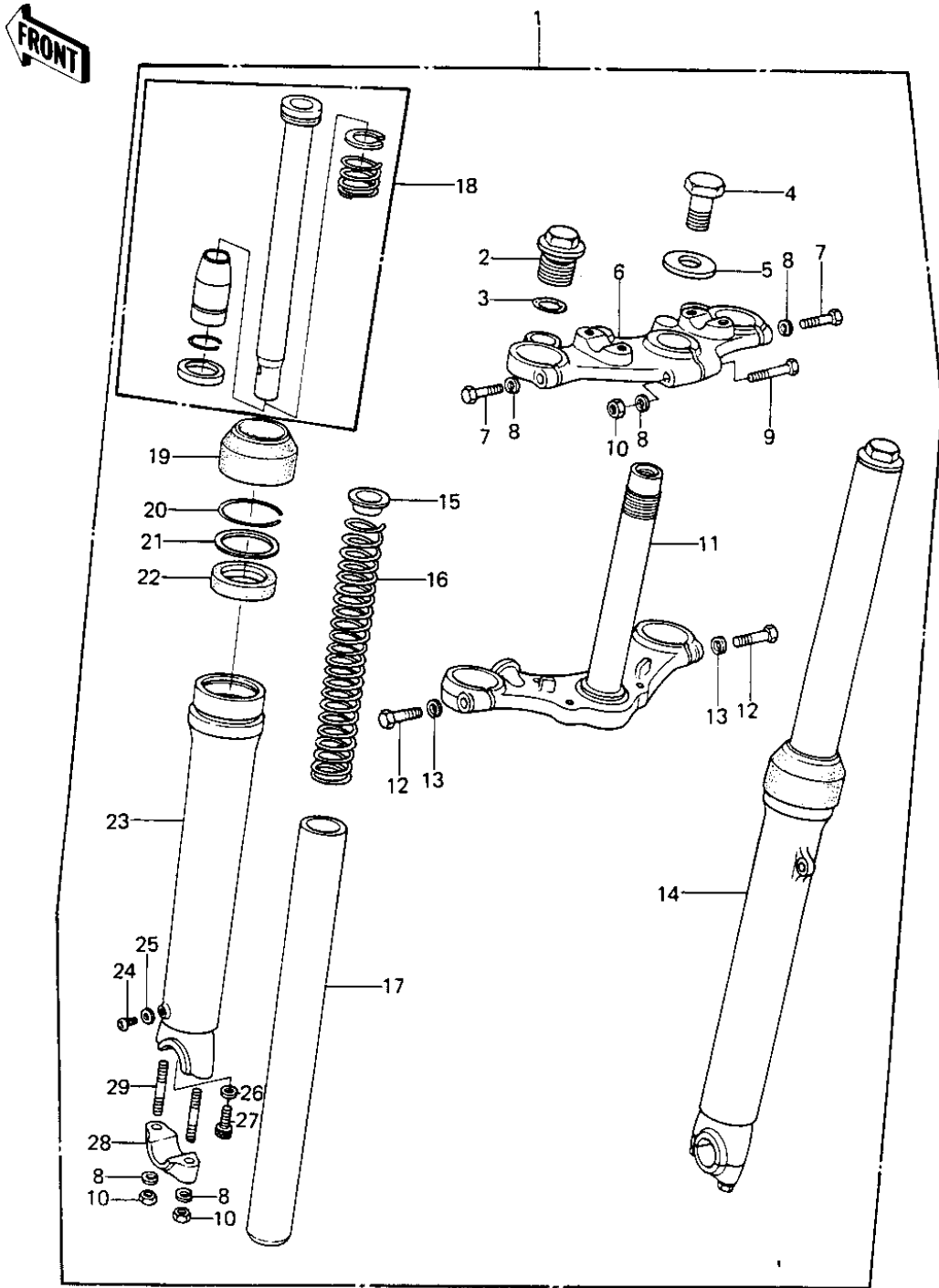


# 1979 KE250-B3 PARTS DIAGRAM

## FRONT FORK



# 1979 KE250-B3 PARTS LIST

## FRONT FORK

ITEM NAME	PART NUMBER	QUANTITY
FORK-FRONT (Ref # 1)	44001-1039	
FORK-FRONT (Ref # 1)	44001-1039	
FORK-FRONT (Ref # 1)	44001-1039	
BOLT,FORK TOP (Ref # 2)	44062-010	
"O" RING,FORK TOP (Ref # 3)	92055-1012	
BOLT STRNG STEM HEAD (Ref # 4)	44041-007	
WASHER STRNG STEM HD (Ref # 5)	44043-016	
HEAD,STEERING STEM (Ref # 6)	44039-080	
BOLT-STEERING STEM HD (Ref # 7)	44041-044	
WASHER SPRING 8MM (Ref # 8)	461F0800	
BOLT-STEERING STEM HD (Ref # 9)	44041-042	
NUT,LOCK,8MM (Ref # 10)	92015-1124	
STEM,STEERING (Ref # 11)	44037-112	
BOLT-HEX HEAD,12X36 (Ref # 12)	92003-064	
WASHER SPRING 12MM (Ref # 13)	461F1200	
TUBE,RH,FORK OUTER (Ref # 14)	44006-1007	
GUIDE,FORK SPRING (Ref # 15)	44028-033	
SPRING,FORK,INNER (Ref # 16)	44026-1007	
TUBE,FORK INNER (Ref # 17)	44013-1006	
TUBE,FORK INNER (Ref # 17)	44013-1013	
CYLINDER-FORK (Ref # 18)	44022-1005	
CYLINDER-FORK (Ref # 18)	44022-1013	
DUST SHIELD,FORK (Ref # 19)	44010-036	
CIRCLIP-OIL SEAL FIT (Ref # 20)	44044-012	
WASHER-OIL SEAL FIT (Ref # 21)	44043-044	
OIL SEAL (Ref # 22)	44009-016	
TUBE,LH,FORK OUTER (Ref # 23)	44005-1007	
SCREW PAN HEAD 4X8 (Ref # 24)	220B0408	
GASKET FORK DRAIN PLG (Ref # 25)	44045-002	

# 1979 KE250-B3 PARTS LIST

## FRONT FORK

ITEM NAME	PART NUMBER	QUANTITY
GASKET,FORK CYLINDER (Ref # 26)	44045-057	
BOLT-FORK CYLINDER (Ref # 27)	44041-040	
HOLDER,FRONT AXLE (Ref # 28)	44063-011	
STUD 8X30 (Ref # 29)	172G0830	