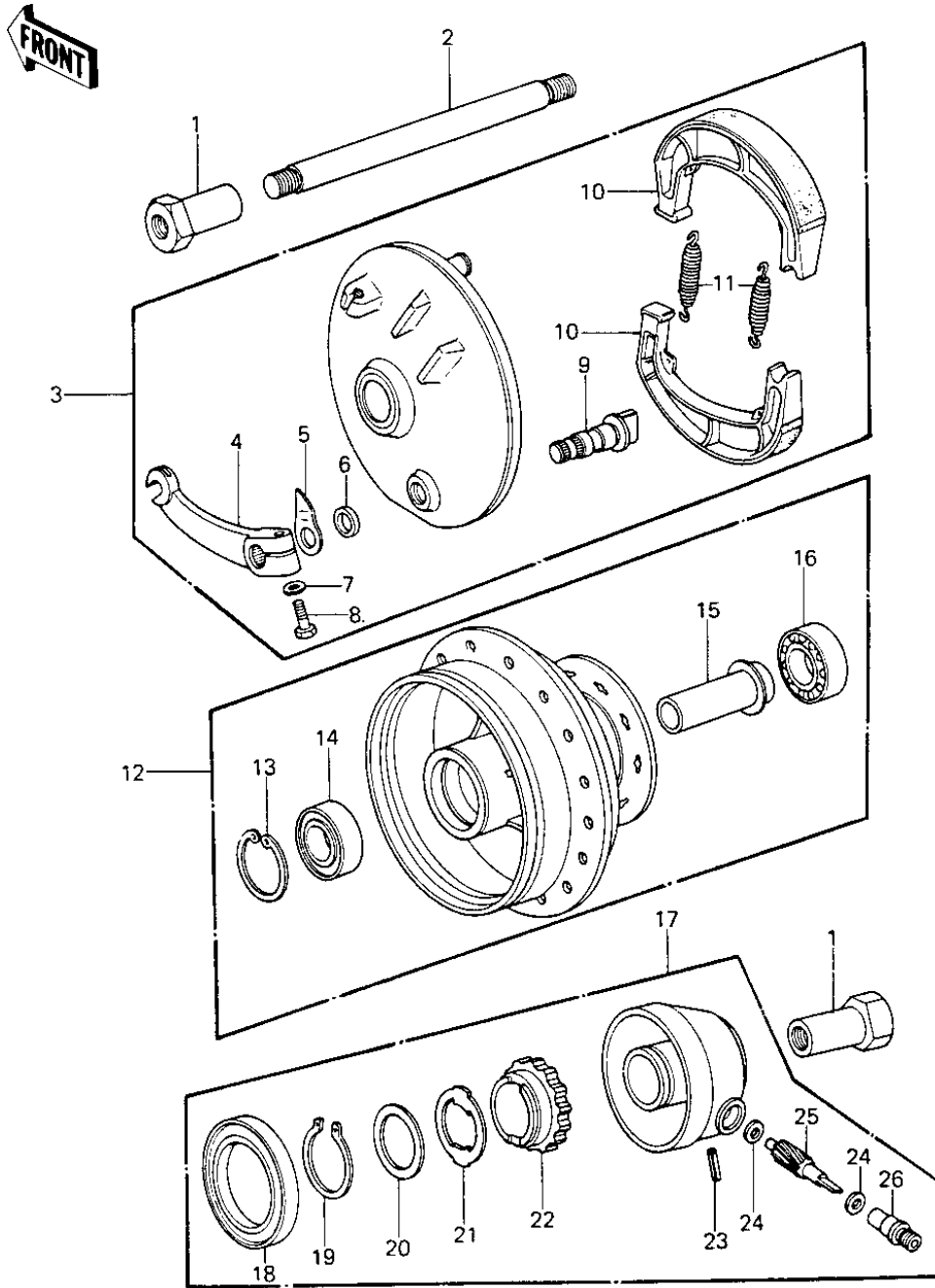


# 1978 KE250-B2 PARTS DIAGRAM

## FRONT HUB/BRAKE



# 1978 KE250-B2 PARTS LIST

## FRONT HUB/BRAKE

ITEM NAME	PART NUMBER	QUANTITY
COLLAR,FRONT AXLE (Ref # 1)	41069-031	
AXLE,FRONT (Ref # 2)	41068-048	
PANEL-ASY,FR BRK (Ref # 3)	41035-082	
LEVER,BRAKE CAM (Ref # 4)	41053-028	
INDICATOR,FR BRK SHOE (Ref # 5)	41085-017	
DUST SHIELD BRAKE CAM (Ref # 6)	41051-001	
WASHER PLAIN 6MM (Ref # 7)	410B0600	
BOLT-UPSET (Ref # 8)	112G0625	
CAM SHAFT,BRAKE (Ref # 9)	42026-027	
SHOE-BRAKE (Ref # 10)	41048-1068	
SPRING-BRAKE SHOE (Ref # 11)	42020-004	
DRUM-ASSY,FR BRK (Ref # 12)	41034-052	
CIRCLIP,42MM (Ref # 13)	92033-1041	
BEARING,FRONT DRUM (Ref # 14)	92045-033	
COLLAR,FRONT HUB BRG (Ref # 15)	41039-037	
BEARING BALL #6302 (Ref # 16)	601B6302	
GEAR BOX ASSY (Ref # 17)	41078-011	
OIL SEAL,#50659 (Ref # 18)	654A506509	
CIRCLIP 24MM (Ref # 19)	480J2400	
WASHER,THRUST (Ref # 20)	41065-005	
RECEIVER,SPEEDOMETER (Ref # 21)	41064-015	
GEAR,SPEEDOMETER (Ref # 22)	41059-027	
PIN,SPRING (Ref # 23)	41082-001	
WASHER THRST SPD PINI (Ref # 24)	41063-001	
PINION,SPEEDOMETER (Ref # 25)	41060-015	
BUSH,SPEEDMETER CABLE (Ref # 26)	41062-005	