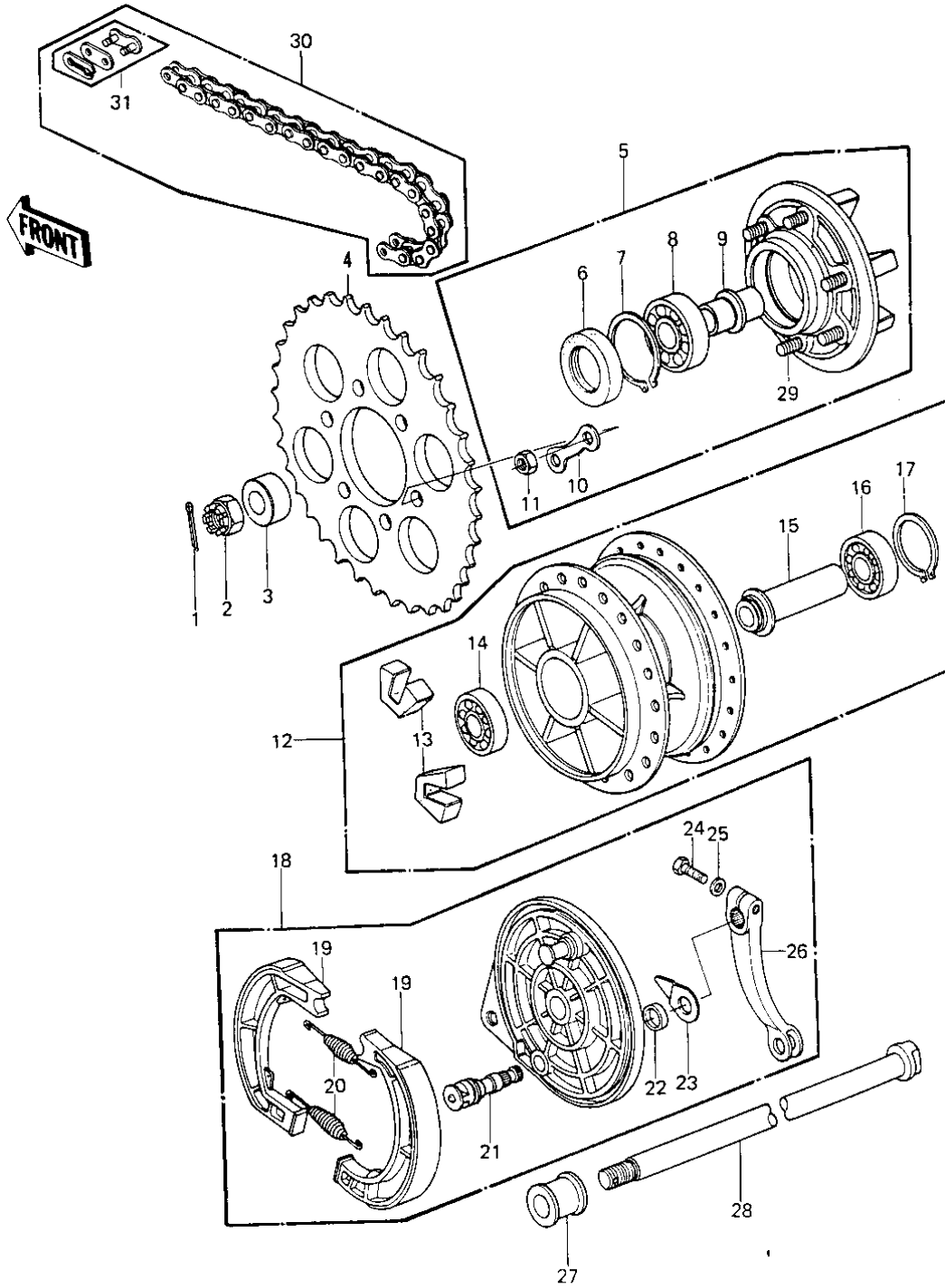


# 1978 KE250-B2 PARTS DIAGRAM

## REAR HUB/BRAKE/CHAIN



# 1978 KE250-B2 PARTS LIST

## REAR HUB/BRAKE/CHAIN

ITEM NAME	PART NUMBER	QUANTITY
PIN-COTTER,4.0X35 (Ref # 1)	550D4035	
NUT CASTLE,16MM (Ref # 2)	92015-055	
COLLAR,REAR AXLE,L.H (Ref # 3)	42032-068	
REAR SPROCKET,39T (Ref # 4)	42041-175	
COUPLING ASSY,REAR HB (Ref # 5)	42008-030	
OIL SEAL WTC35527 (Ref # 6)	92052-006	
RING,SNAP,56.2M/M (Ref # 7)	92033-1043	
RING,SNAP,56.2M/M (Ref # 7)	92033-1043	
BEARING BALL #6205 (Ref # 8)	601B6205	
SLEEVE,COUPLING (Ref # 9)	42036-023	
WASHER LOCK (Ref # 10)	92088-007	
NUT 10MM (Ref # 11)	42045-005	
DRUM ASSY,REAR BRAKE (Ref # 12)	42005-052	
DAMPER,REAR HUB SHOCK (Ref # 13)	42014-024	
BEARING BALL #6303 (Ref # 14)	601B6303	
COLLAR,REAR HUB BEARG (Ref # 15)	42010-038	
BEARING-BALL (Ref # 16)	601B6303U	
CIRCLIP,47M/M (Ref # 17)	92033-1042	
CIRCLIP,47M/M (Ref # 17)	92033-1042	
PANEL-ASY,RR BRK (Ref # 18)	41035-1004	
SHOE,BRAKE (Ref # 19)	42019-011	
SPRING-BRAKE SHOE (Ref # 20)	42020-004	
CAM SHAFT,REAR BRAKE (Ref # 21)	41050-1003	
DUST SHIELD BRAKE CAM (Ref # 22)	41051-001	
INDICATOR,FR BRK SHOE (Ref # 23)	41085-017	
BOLT-UPSET (Ref # 24)	112G0625	
WASHER PLAIN 6MM (Ref # 25)	410B0600	
LEVER,REAR BRAKE CAM (Ref # 26)	42029-040	
COLLAR,REAR AXLE,R.H (Ref # 27)	42032-069	

# 1978 KE250-B2 PARTS LIST

## REAR HUB/BRAKE/CHAIN

ITEM NAME	PART NUMBER	QUANTITY
AXLE,REAR (Ref # 28)	42031-053	
STUD,REAR HUB COUPLNG (Ref # 29)	92004-061	
DR CHAIN 520X98 (Ref # 30)	92057-106	
CHAIN JOINT 520 (Ref # 31)	92058-1001	